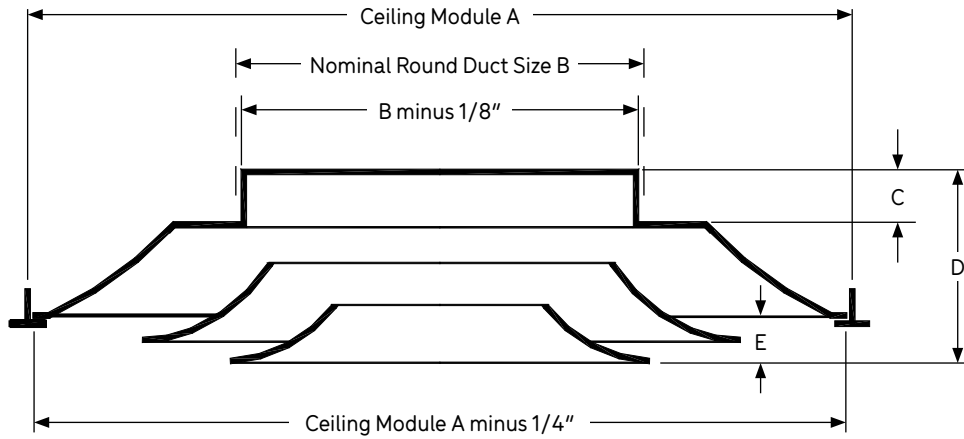


### S2300

Square Ceiling Diffusers  
Steel, High Performance

Model: **S2300** • Round Neck

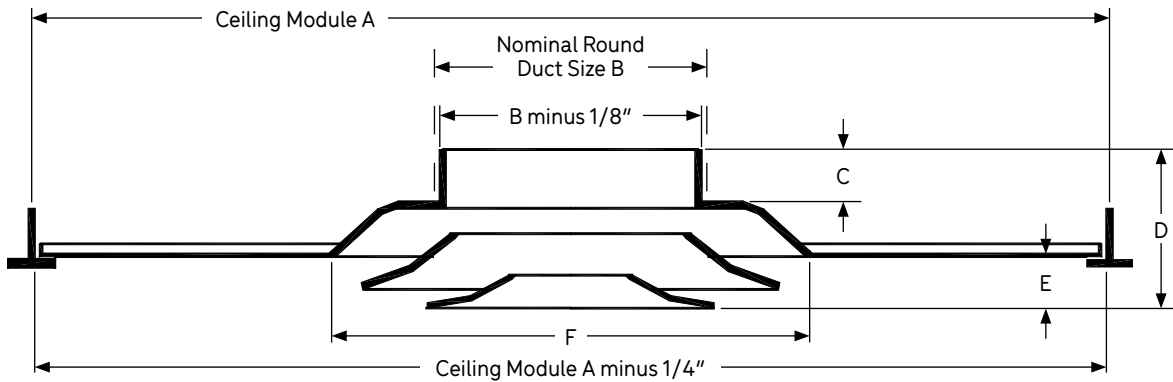
Border Type LTF (Lay-In) Full Face. For other border types, please see next page.



Ceiling Module A	Nominal Round Duct Size B	C	D	E
12 X 12	4, 5*	3 1/8	5 3/8	1 1/8
12 X 12	6, 7	1 1/8	3 3/8	1 1/8
12 X 12	8	1 1/4	3 1/2	1 1/8
20 X 20	4, 5*	2 3/4	6 3/8	1 1/4
20 X 20	6, 8, 10	3/4	4 3/8	1 1/4
24 X 24	6, 8	1 1/4	5	1 1/4
24 X 24	10, 12, 14, 15	1 3/8	5 1/8	1 1/4

\* Adapter is provided for sizes 4 & 5

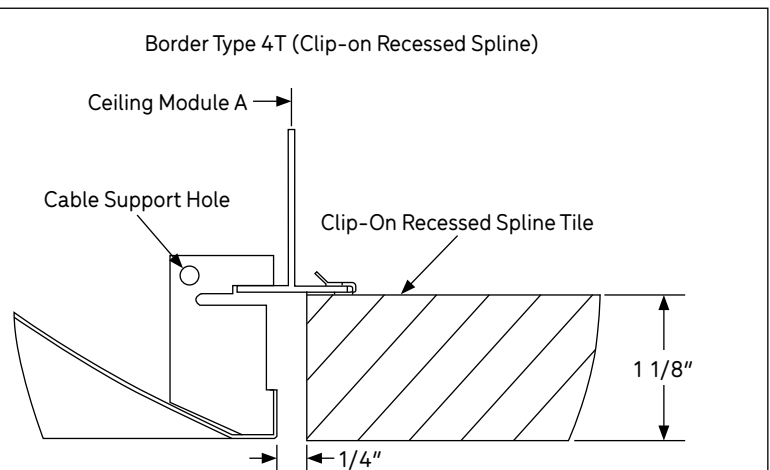
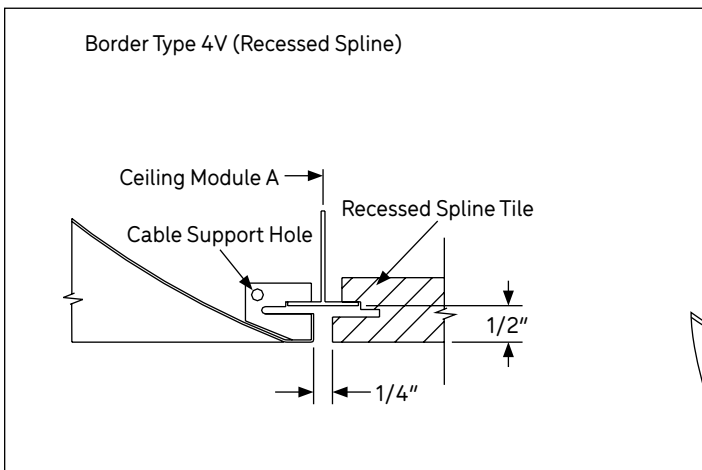
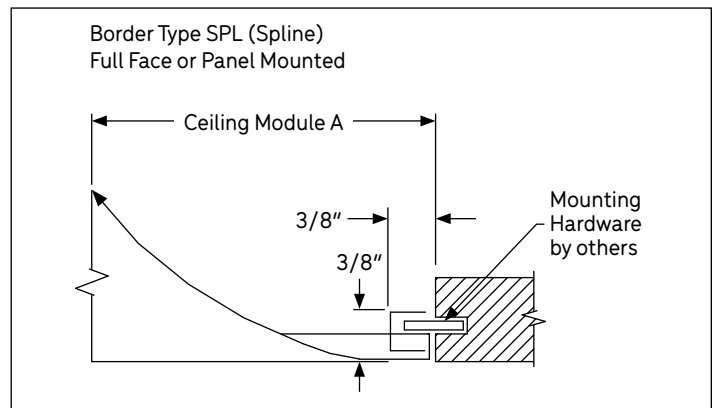
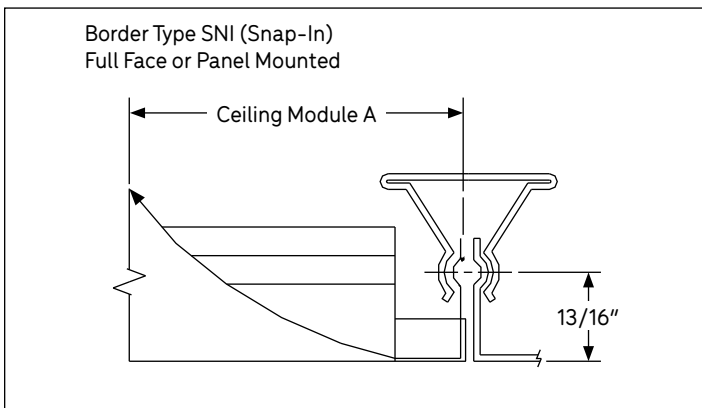
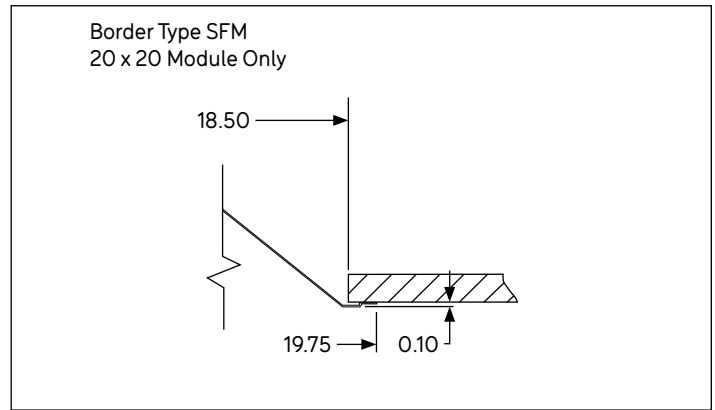
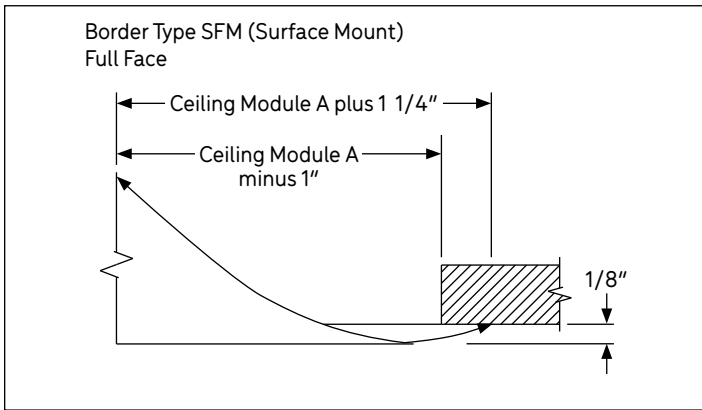
Border Type LTF (Lay-In) Panel Mount. For other border types, please see next page.



Ceiling Module A	Nominal Round Duct Size B	Nominal Face Sizes F	C	D	E
24 X 24	4, 5*	12 X 12	2 3/4	5	1 1/8
24 X 24	6, 7	12 X 12	3/4	3	1 1/8
24 X 24	8	12 X 12	3/4	3	1 1/8

\* Adapter is provided for sizes 4 & 5

### OTHER AVAILABLE BORDER TYPES



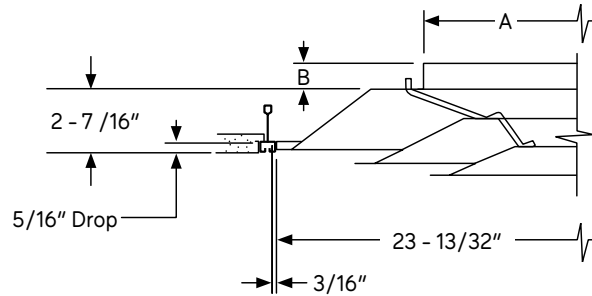
Note: If Border 4V is adjacent to a light fixture a gap will be visible above the backpan. A t-bar extender is available to fill this void, available from the ceiling manufacturer.

Ceiling Module	Face Size	Nominal Round Duct Sizes	Border Types
12 X 12	12 X 12	4, 5, 6, 7, 8	SFM, SNI, LTF, SPL
20 X 20	20 X 20	4, 5, 6, 8, 10	SFM, LTF
24 X 24	24 X 24	6, 8, 10, 12, 14, 15	SFM, SNI, LTF, SPL, 4V, 4T
24 X 24 (Panel)	12 X 12	4, 5, 6, 7, 8	SNI, LTF, SPL

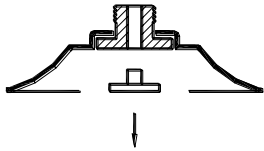
Borders 4V & 4T have four mounting clips. Two clips on opposed sides with holes to attach mounting wire from above. Borders 4V & 4T are only available in 24x24 full face module size.

### OTHER AVAILABLE BORDER TYPES (CONTINUE)

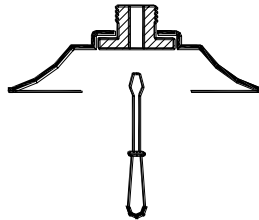
Frame Type NTG (Narrow Tee)



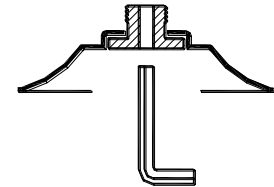
### ADJUSTING OPTIONAL DAMPER • REMOVING CENTER CONE



1. Remove center pin.



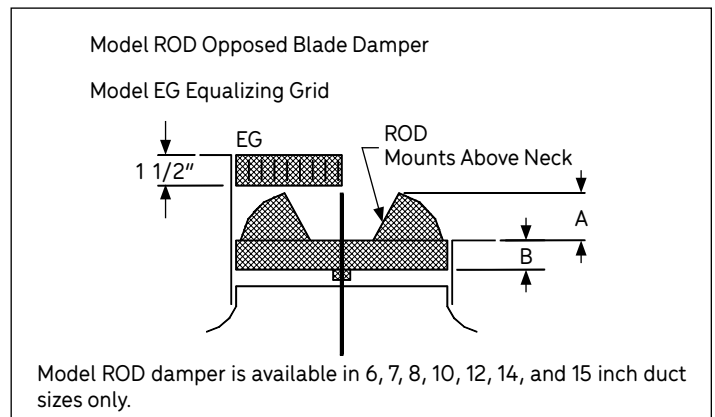
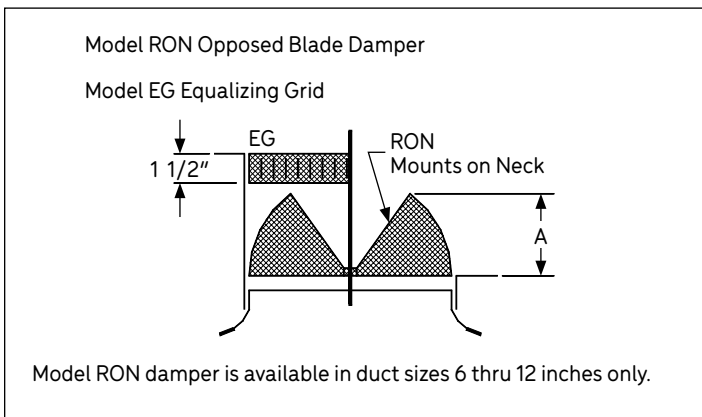
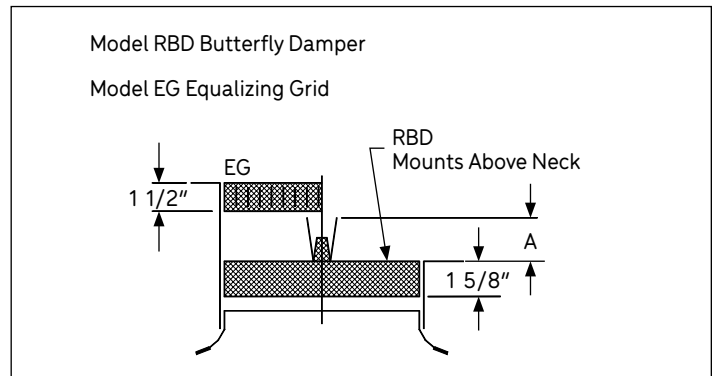
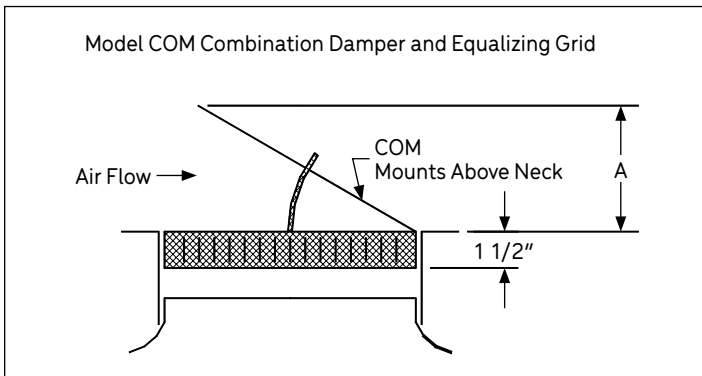
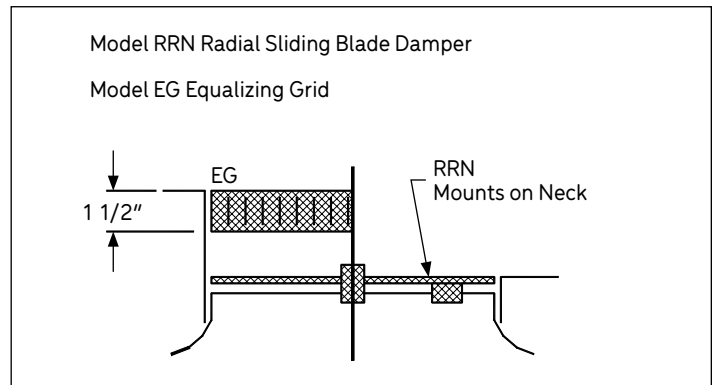
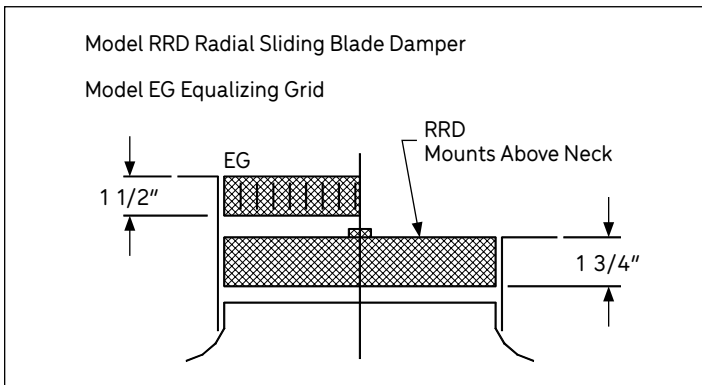
2. To adjust optional damper, insert screwdriver through hex hole.



3. To remove center cone, insert hex key (by others) and unscrew center hub.

# TB Tuttle & Bailey® SUBMITTAL DRAWING

## ACCESSORIES (OPTIONAL) if provided.



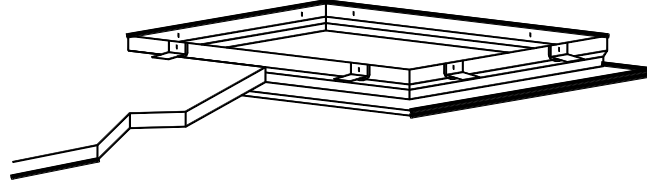
Dimension "A" in Inches, for Dampers Shown as Above

Accessories	Nominal Round Duct Sizes						
	6	7	8	10	12	14	15
RRD	-	-	-	-	-	-	N/A
RRN	-	-	-	-	-	-	N/A
RON	2 3/8	2 7/8	3 1/4	4 1/8	4 7/8	N/A	N/A
RBD	2 1/2	3	3 1/2	4 1/2	5 1/2	6 1/2	7
COM	3 3/8	4	4 1/2	5 1/2	7 1/8	8 5/8	9
ROD	2 3/4	3 1/4	3 5/8	4 1/2	5 3/8	2 3/4	3

Note: RRN and RRD dampers have radial blades that slide in a horizontal plane. For that reason, no opening clearance "A" is dimensioned.

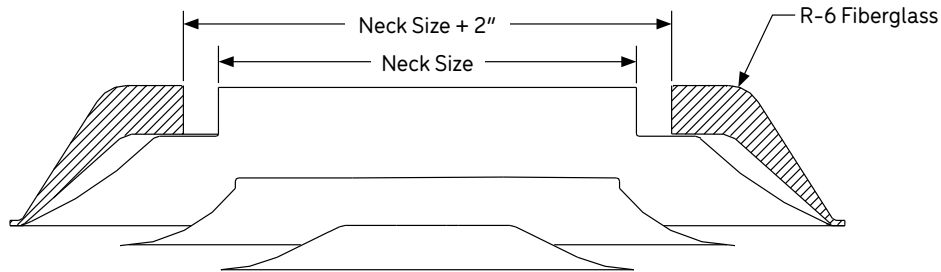
### OTHER ACCESSORIES (OPTIONAL) if provided.

AFR Rapid Mount Frame

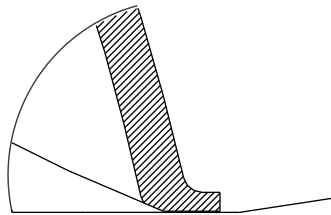


For Surface Mounting Border Type LTF

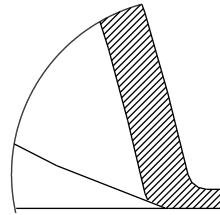
R6 Molded Insulation Blanket



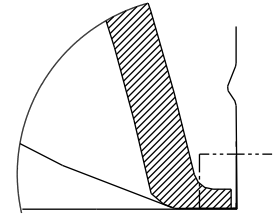
Type LTF Border Shown



Type SFM Frame



Type LTF Frame



Type SNI Or Type SPL Frame

Standard Finish: WHT White

### GENERAL DESCRIPTION

- Model S2300 delivers supply air in a true 360° pattern. Designed to protect ceiling from streaking and smudging.
- Excellent for variable volume systems. The uniform, nearly horizontal jet from the outer cone maintains effective room air distribution even when air volume varies over a considerable range.
- The S2300 consists of 3 concentric cones in all sizes. This uniformity of design enhances appearance in installations where more than one size is involved.
- Screwdriver adjustment of the optional damper is achieved without removing the inner cone. (See Note 2, Page 2).
- Quick removal of inner cone with a hex key speeds installation. (See Note 3, Page 2).
- All cones are die-stamped one piece construction with smooth, clean surfaces and no corner joints.
- Material is heavy gauge steel.
- Optional molded insulation blanket (R6) with R-6 rating available for use with order styles 1, 2, 3, and 4, 24x24 full face models.

JOB NAME: LOCATION: ARCHITECT: ENGINEER: CONTRACTOR:	SUBMITTED BY:	DATE: 06/12/26	S2300 - 1.0
		<b>S2300</b> Square Ceiling Diffusers Steel, High Performance	