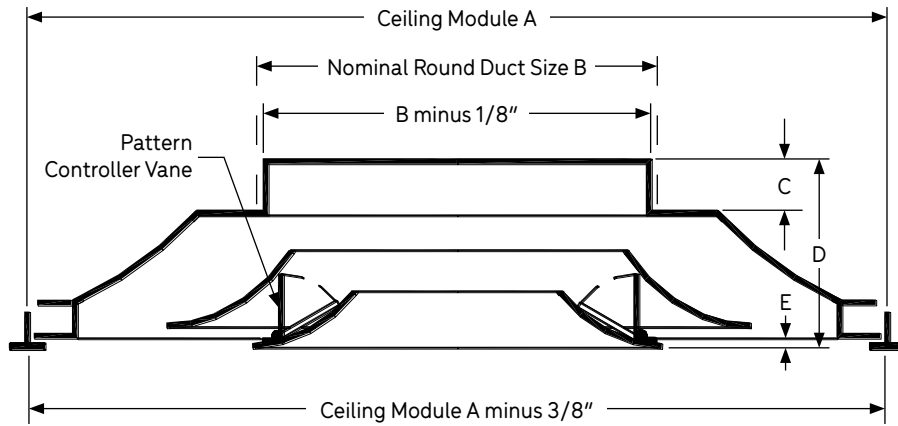


S2300A

Square Ceiling Diffusers
Steel, Adjustable, High Performance

Model: **S2300A** • Round Neck • Vertical-to-Horizontal Discharge Pattern

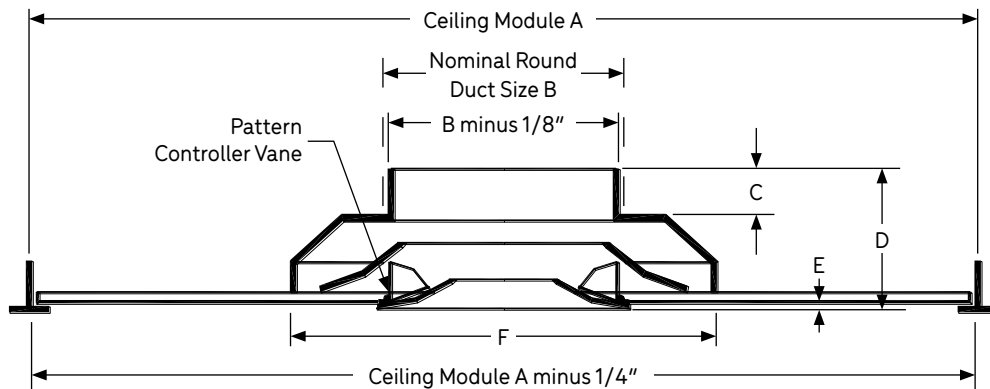
Border Type LTF (Lay-In) Full Face. For other border types, please see next page.



Ceiling Module A	Nominal Round Duct Size B	C	D	E
12 X 12	4, 5*	3 1/8	5 3/8	3/8
12 X 12	6, 7	1 1/8	3 3/8	3/8
12 X 12	8	1 1/4	3 1/2	3/8
20 X 20	4, 5*	2 3/4	6 3/8	1 1/4
20 X 20	6, 8, 10	3/4	4 3/8	1 1/4
24 X 24	6, 8	1 1/4	5	1/4
24 X 24	10, 12, 14, 15	1 3/8	5 1/8	1/4

* Adapter is provided for sizes 4 & 5

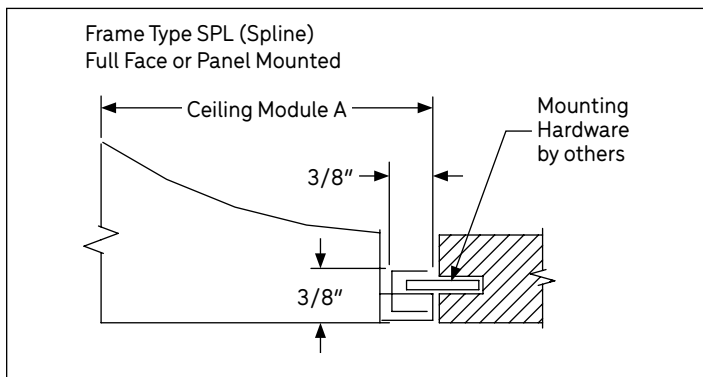
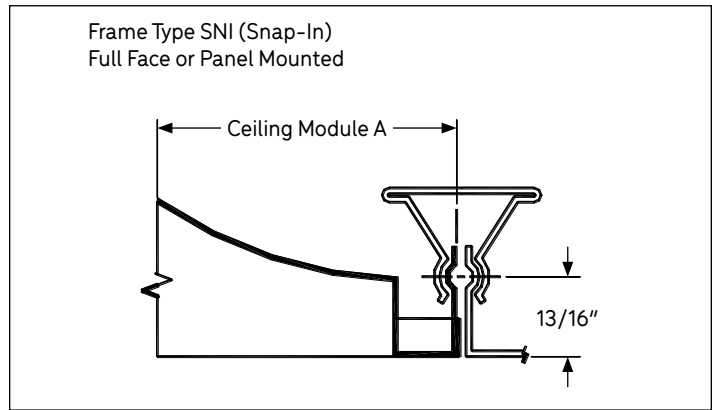
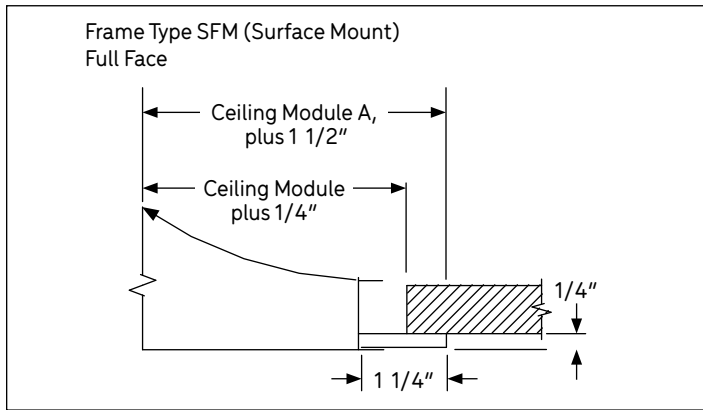
Border Type LTF (Lay-In) Panel Mount. For other border types, please see next page.



Ceiling Module A	Nominal Round Duct Size B	Nominal Face Sizes F	C	D	E
24 X 24	4, 5*	12 X 12	3 1/8	5 3/8	3/8
24 X 24	6, 7	12 X 12	1 1/8	3 3/8	3/8
24 X 24	8	12 X 12	1 1/4	3 1/2	3/8

* Adapter is provided for sizes 4 & 5

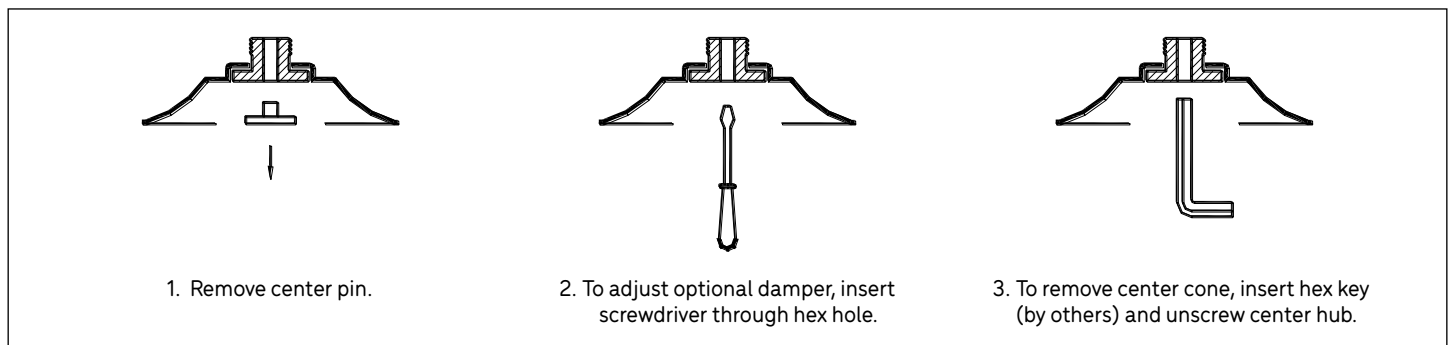
OTHER AVAILABLE BORDER TYPES



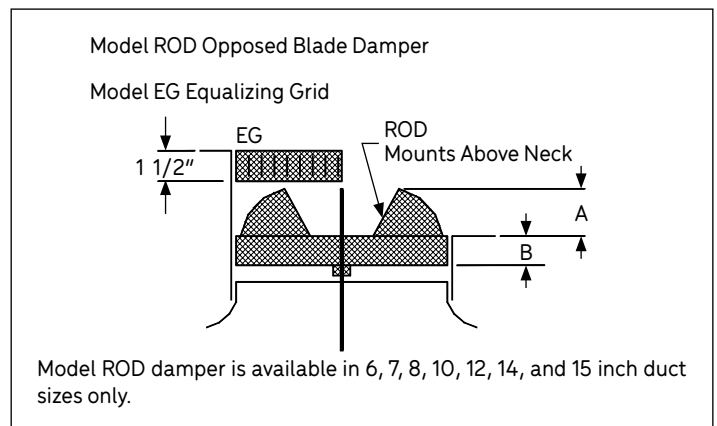
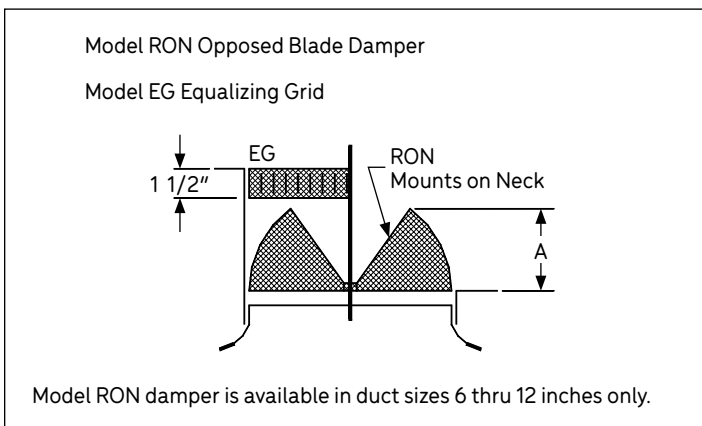
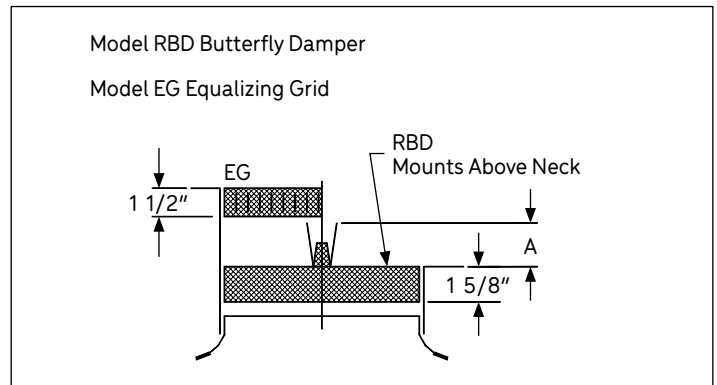
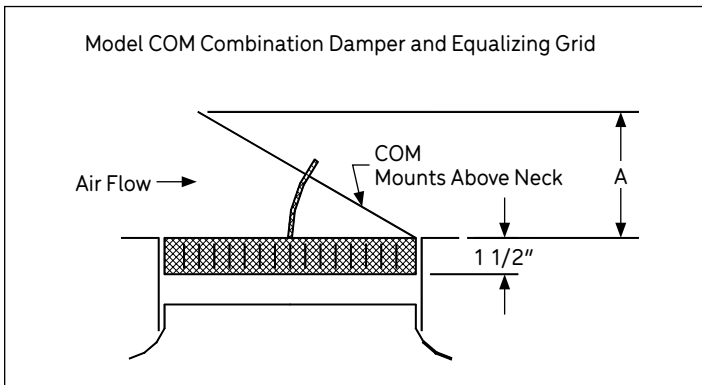
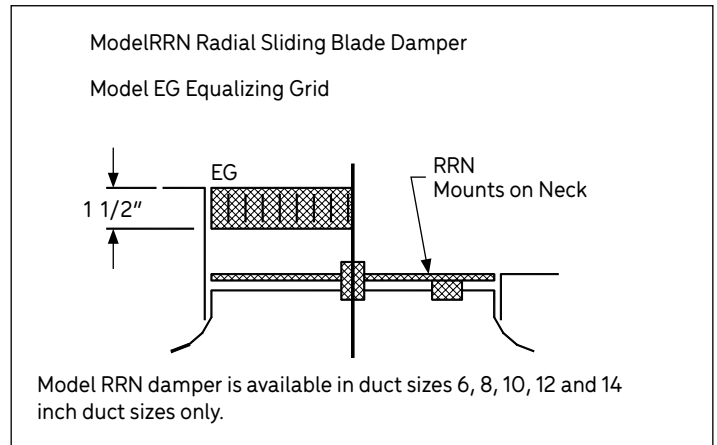
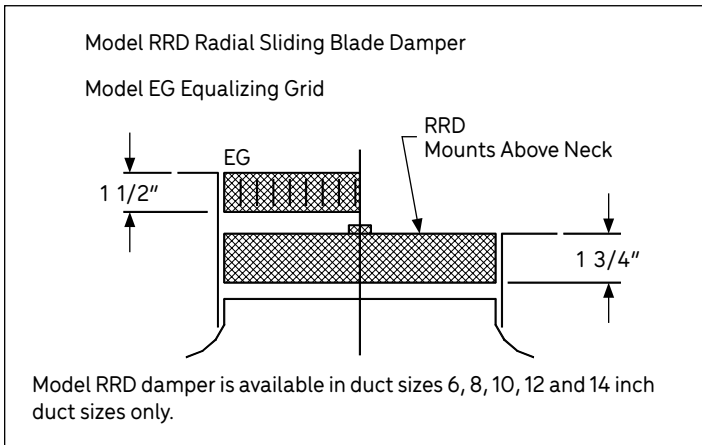
Ceiling Module	Face Size	Nominal Round Duct Size	Border Types
12 X 12	12 X 12	4, 5, 6, 7, 8	SFM, SNI, LTF, SPL
24 X 24	24 X 24	6, 8, 10, 12, 14, 15	SFM, SNI, LTF, SPL
24 X 24 (Panel)	12 X 12	4, 5, 6, 7, 8	SNI, LTF, SPL

* 20 x 20 Module available only in Type LTF

ADJUSTING OPTIONAL DAMPER • REMOVING CENTER CONE



ACCESSORIES (OPTIONAL) Check if provided.



Dimension "A" in Inches, for Dampers Shown as Above

Accessories	Nominal Round Duct Sizes							
	6	7	8	10	12	14	15	
RRD	-	-	-	-	-	-	N/A	
RRN	-	-	-	-	-	-	N/A	
RON	2 3/8	2 7/8	3 1/4	4 1/8	4 7/8	N/A	N/A	
RBD	2 1/2	3	3 1/2	4 1/2	5 1/2	6 1/2	7	
COM	3 3/8	4	4 1/2	5 1/2	7 1/8	8 5/8	9	
ROD	2 3/4	3 1/4	3 5/8	4 1/2	5 3/8	2 3/4	3	

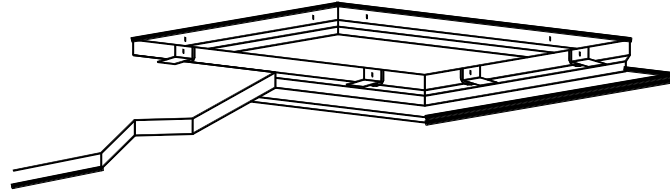
Note: RRN and RRD dampers have radial blades that slide in a horizontal plane. For that reason, no opening clearance "A" is dimensioned.

OTHER ACCESSORIES (OPTIONAL) if provided.

Standard Finish: WHT White

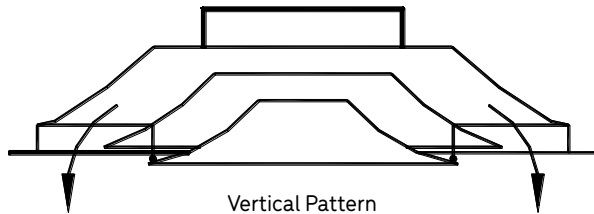
Model SB Sectorizing Baffles

AFR Rapid Mount Frame

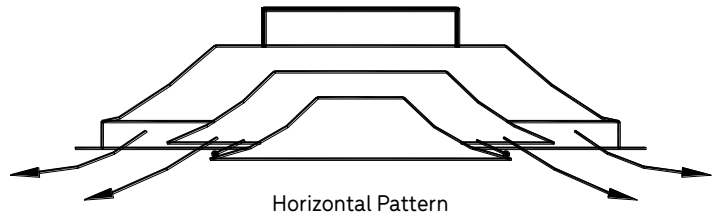


For Surface Mounting Border Type LTF

S2300A DISCHARGE PATTERNS



Vertical Pattern



Horizontal Pattern

Note: Pattern controller vanes are adjustable to any position from vertical to horizontal.

GENERAL DESCRIPTION

- Model S2300A includes adjustable vanes which vary the discharge pattern between horizontal and vertical.
- Delivers supply air in a true 360° pattern. Designed to protect ceiling from streaking and smudging.
- Excellent for variable volume systems. The uniform jet maintains effective room air distribution even when air volume varies over a considerable range.
- The S2300A consists of 3 concentric cones in all sizes. This uniformity of design enhances appearance in installations where more than one size is involved.
- Screwdriver adjustment of the optional damper is achieved without removing the inner cone. (See Note 2, Page 2).
- Quick removal of inner cone with a hex key speeds installation. (See Note 3, Page 2).
- All cones are die-stamped one piece construction with smooth, clean surfaces and no corner joints.
- Material is heavy gauge steel.

JOB NAME: LOCATION: ARCHITECT: ENGINEER: CONTRACTOR:	SUBMITTED BY:	DATE: 06/12/26	S2300A - 1.0
		S2300A Square Ceiling Diffusers Steel, Adjustable, High Performance	