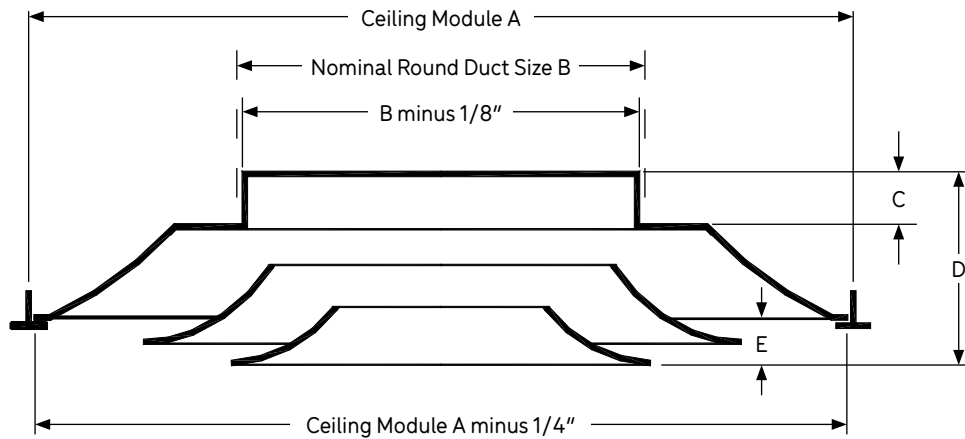


A2300

Square Ceiling Diffusers
Aluminum, High Performance

Model: **A2300** • High Performance

Border Type LTF (Lay-In) Full Face.

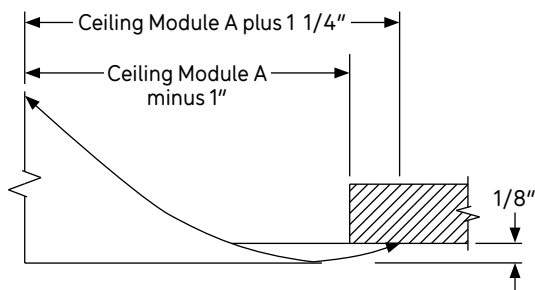


Ceiling Module A	Nominal Round Duct Size B	C	D	E
12 X 12	4, 5*	3 1/8	5 3/8	1 1/8
12 X 12	6, 8	1 1/8	3 3/8	1 1/8
24 X 24	6, 8	1 1/4	5	1 1/4
24 X 24	10, 12, 14, 15	1 3/8	5 1/8	1 1/4

* Adapter is provided for sizes 4 & 5

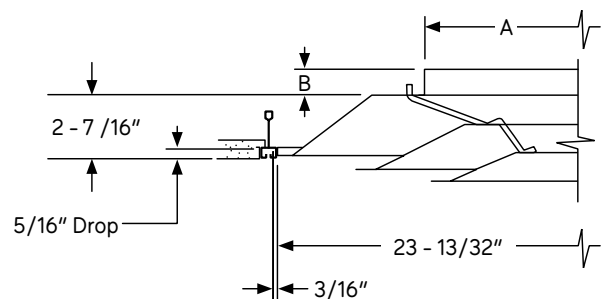
OTHER AVAILABLE BORDER TYPES

Frame Type SFM (Surface Mount)
Full Face

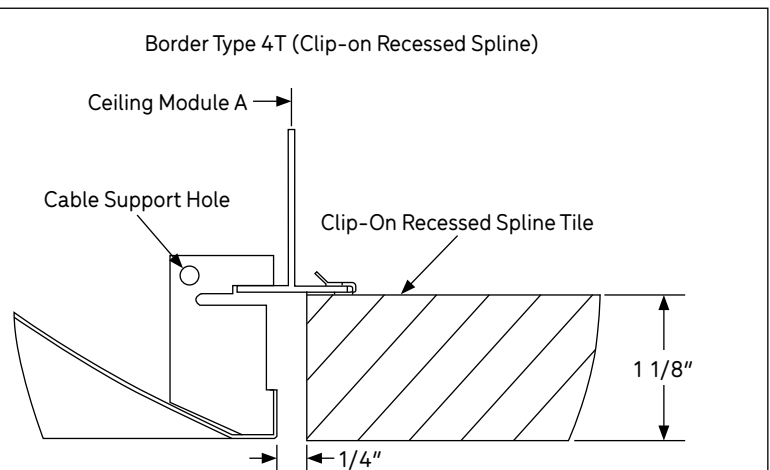
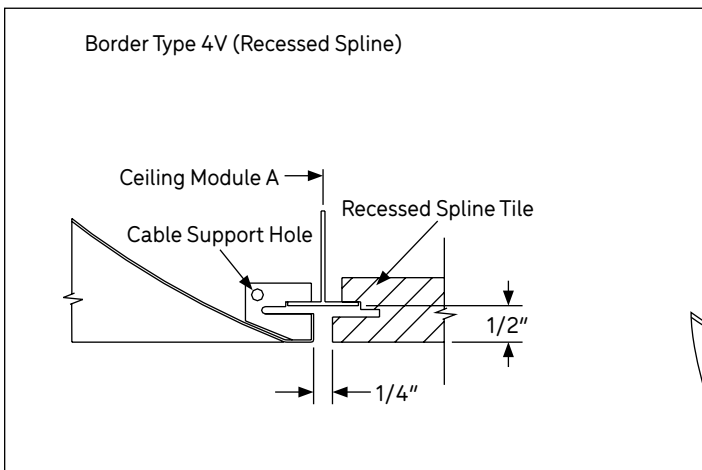
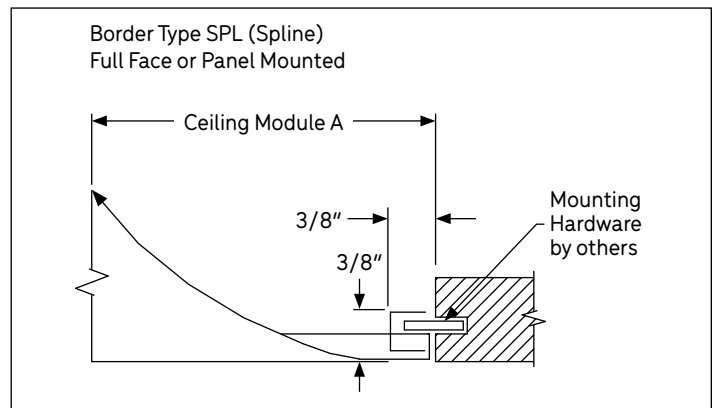
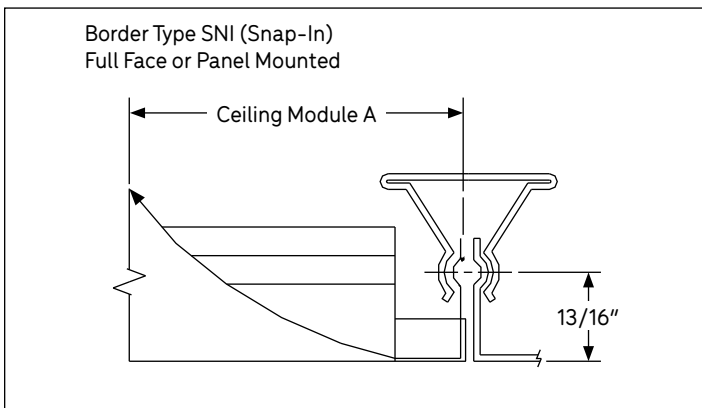
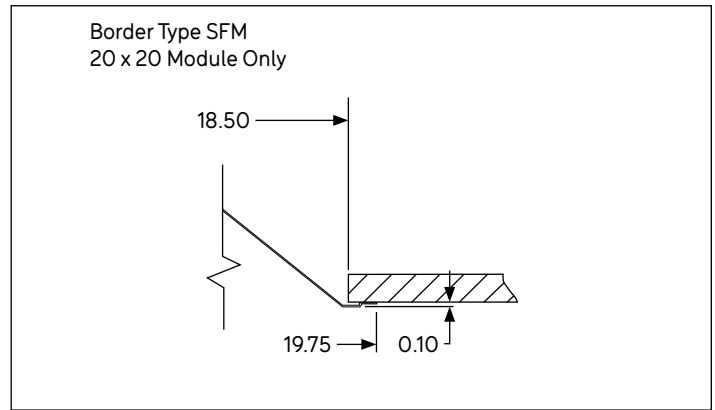
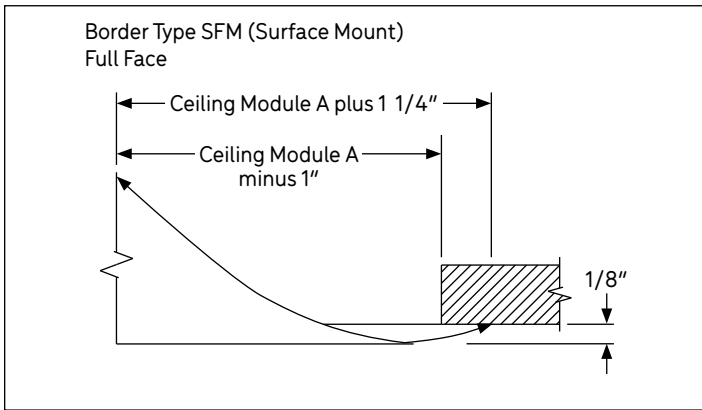


Ceiling Module	Face Size	Nominal Round Duct Sizes	Border Types
24 x 24	24 x 24	6, 8, 10, 12, 14, 15	SFM, SNI, LTF, SPL

Frame Type NTG (Narrow Tee)



OTHER AVAILABLE BORDER TYPES

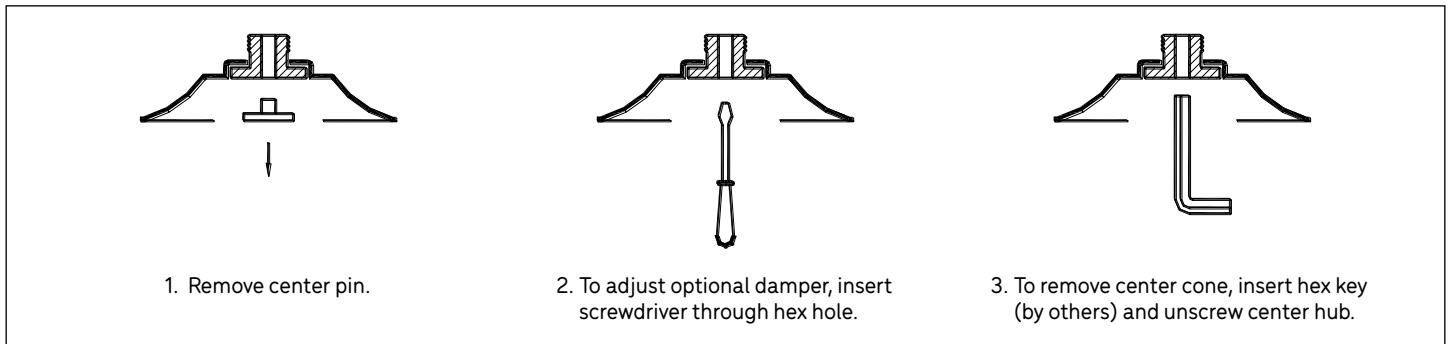


Note: If Border 4V is adjacent to a light fixture a gap will be visible above the backpan. A t-bar extender is available to fill this void, available from the ceiling manufacturer.

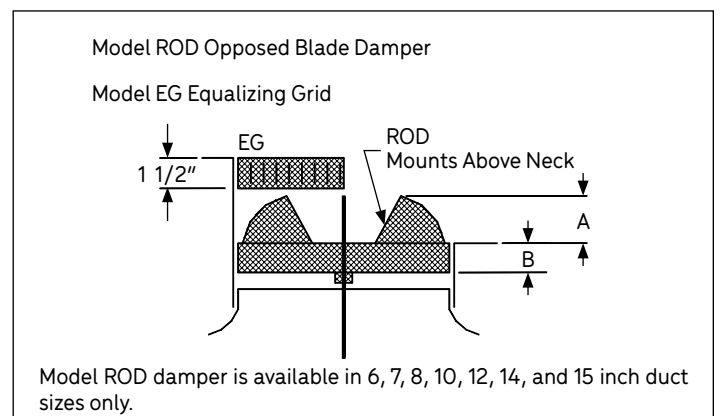
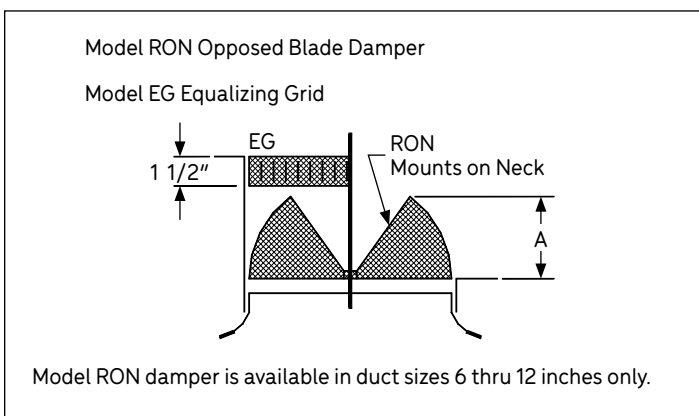
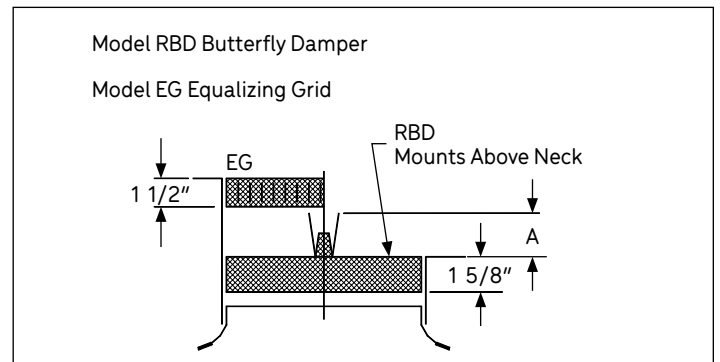
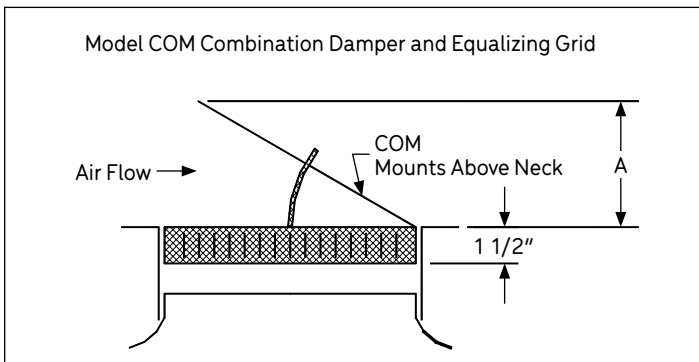
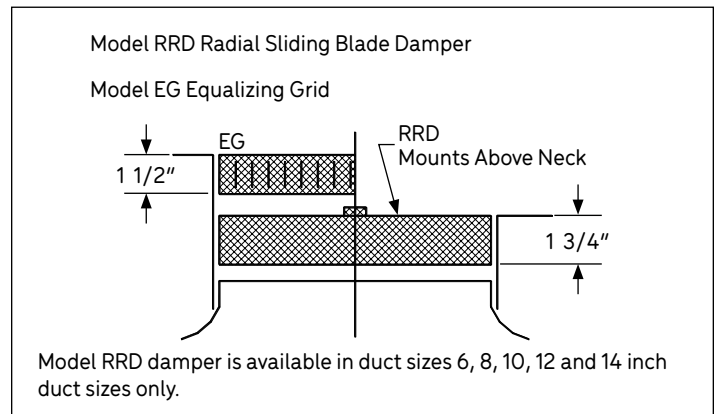
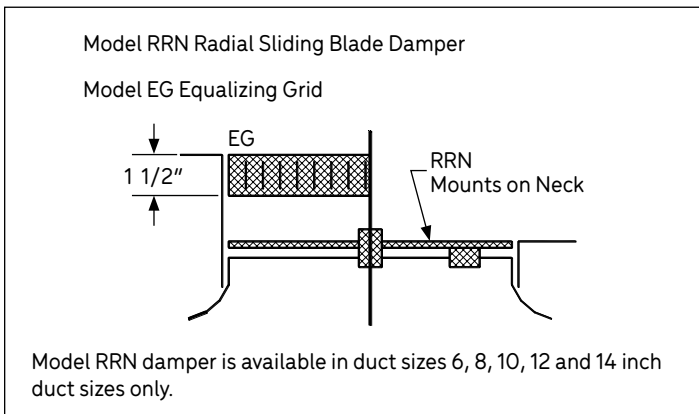
Ceiling Module	Face Size	Nominal Round Duct Sizes	Border Types
12 X 12	12 X 12	4, 5, 6, 7, 8	SFM, SNI, LTF, SPL
20 X 20	20 X 20	4, 5, 6, 8, 10	SFM, LTF
24 X 24	24 X 24	6, 8, 10, 12, 14, 15	SFM, SNI, LTF, SPL, 4V, 4T
24 X 24 (Panel)	12 X 12	4, 5, 6, 7, 8	SNI, LTF, SPL

Borders 4V & 4T have four mounting clips. Two clips on opposed sides with holes to attach mounting wire from above. Borders 4V & 4T are only available in 24x24 full face module size.

ADJUSTING OPTIONAL DAMPER • REMOVING CENTER CONE



ACCESSORIES (OPTIONAL) Check if provided.



Dimension "A" in Inches, for Dampers Shown as Above

Accessories	Nominal Round Duct Sizes						
	6	7	8	10	12	14	15
RRD	-	-	-	-	-	-	N/A
RRN	-	-	-	-	-	-	N/A
RON	2 3/8	2 7/8	3 1/4	4 1/8	4 7/8	N/A	N/A
RBD	2 1/2	3	3 1/2	4 1/2	5 1/2	6 1/2	7
COM	3 3/8	4	4 1/2	5 1/2	7 1/8	8 5/8	9
ROD	2 3/4	3 1/4	3 5/8	4 1/2	5 3/8	2 3/4	3

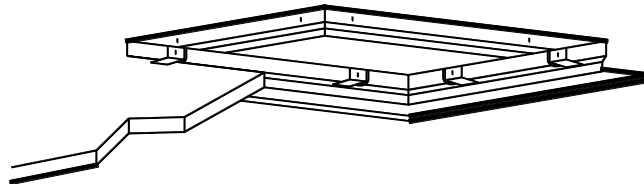
Note: RRN and RRD dampers have radial blades that slide in a horizontal plane. For that reason, no opening clearance "A" is dimensioned.

OTHER ACCESSORIES (OPTIONAL) Check if provided.

Standard Finish: WHT White

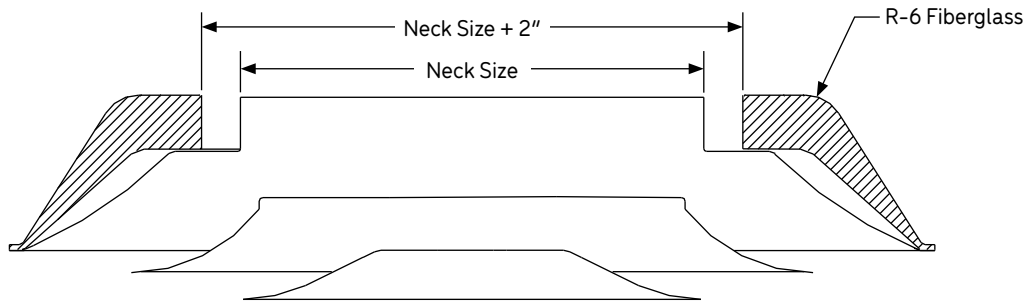
Model SB Sectorizing Baffles

AFR Rapid Mount Frame

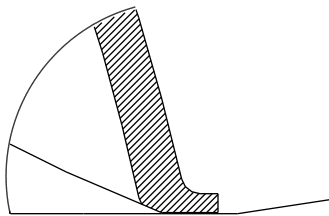


For Surface Mounting Border Type LTF

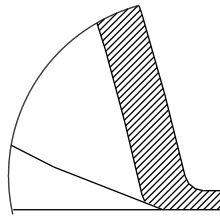
R6 Molded Insulation Blanket



Type LTF Border Shown



Type SFM Frame



Type LTF Frame

Insulation is R-6 where blanket has the most depth. One inch clearance on each side of neck is left for insulated duct connection. 24x24 Full face models only.

GENERAL DESCRIPTION

- Model A2300 delivers supply air in a true 360° pattern. Designed to protect ceiling from streaking and smudging.
- Excellent for variable volume systems. The uniform, nearly horizontal jet from the outer cone maintains effective room air distribution even when air volume varies over a considerable range.
- The A2300 consists of 3 concentric cones in all sizes. This uniformity of design enhances appearance in installations where more than one size is involved.
- Screwdriver adjustment of the optional damper is achieved without removing the inner cone. (See Note 2, Page 2).
- Quick removal of inner cone with a hex key speeds installation. (See Note 3, Page 2).
- All cones are die-stamped one piece construction with smooth, clean surfaces and no corner joints.
- Material is heavy gauge aluminum with steel bar webbing.
- Optional molded insulation blanket (R6) with R-6 rating available for use with order styles 1, 2, 3, and 4, 24x24 full face models.

JOB NAME:	SUBMITTED BY:	DATE: 06/12/26	A2300 - 1.0
LOCATION:		A2300	
ARCHITECT:		Square Ceiling Diffusers	
ENGINEER:		Aluminum, High Performance	
CONTRACTOR:			