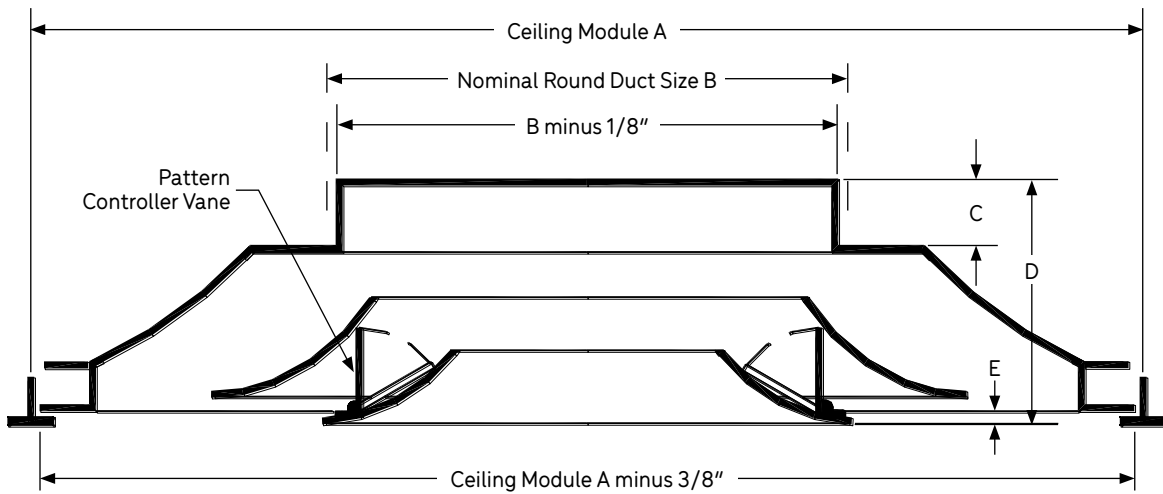


A2300A

Square Ceiling Diffusers
Aluminum, Adjustable, High Performance

Model: **A2300A** • Round Neck • Vertical-to-Horizontal Discharge Pattern

Border Type LTF (Lay-In) Full Face.

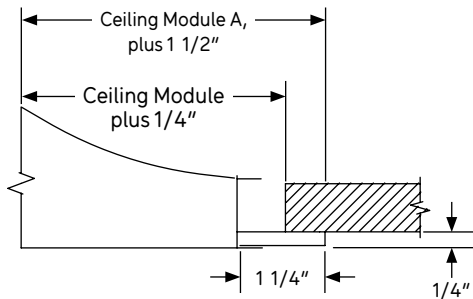


Ceiling Module A	Nominal Round Duct Size B	C	D	E
12 X 12	4, 5*	3 1/8	5 3/8	3/8
12 X 12	6, 7	1 1/8	3 3/8	3/8
12 X 12	8	1 1/4	3 1/2	3/8
20 X 20	4, 5*	2 3/4	6 3/8	1 1/4
20 X 20	6, 8, 10	3/4	4 3/8	1 1/4
24 X 24	6, 8	1 1/4	5	1/4
24 X 24	10, 12, 14, 15	1 3/8	5 1/8	1/4

* Adapter is provided for 4 & 5

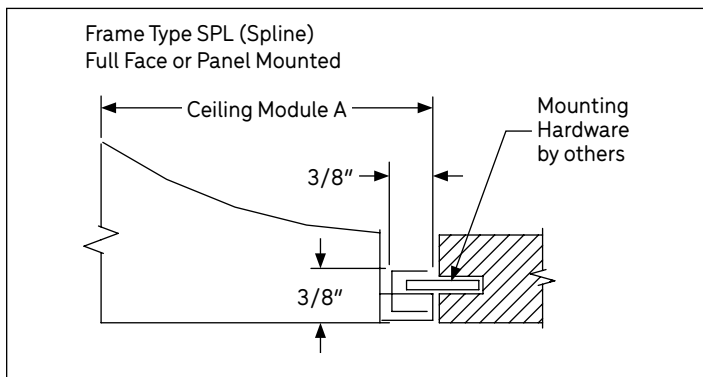
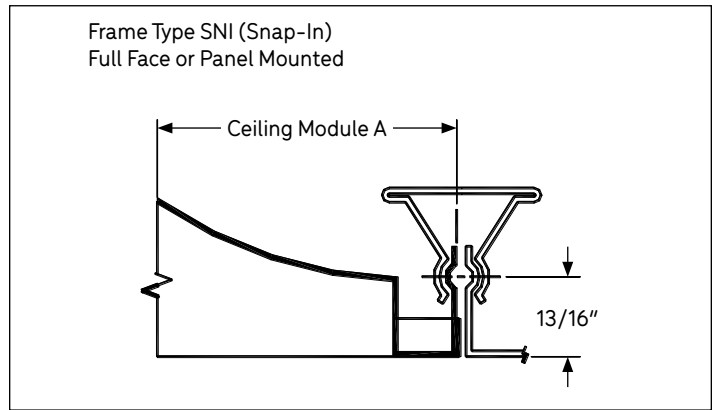
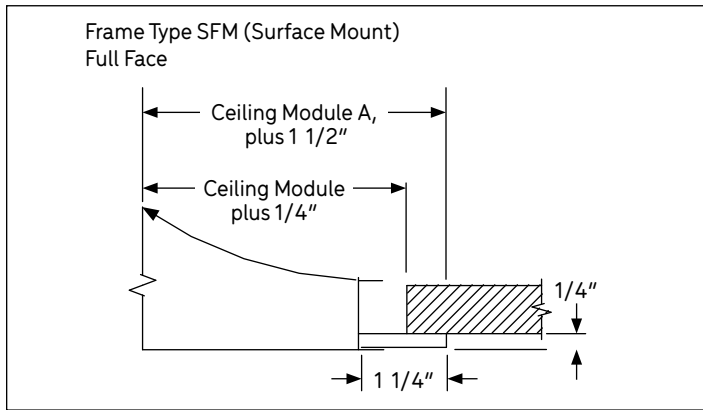
OTHER AVAILABLE BORDER TYPES

Frame Type SFM (Surface Mount)
Full Face



Ceiling Module	Face Size	Nominal Round Duct Sizes	Border Types
20 x 20	20 x 20	4, 5, 6, 8, 10	SFM, LTF
24 x 24	24 x 24	6, 8, 10, 12, 14, 15	SFM, SNI, LTF, SPL

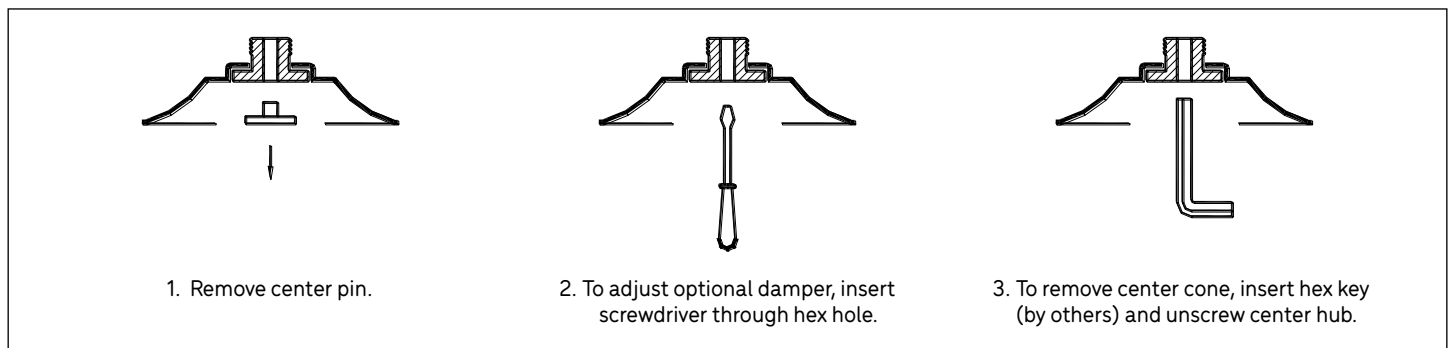
OTHER AVAILABLE BORDER TYPES



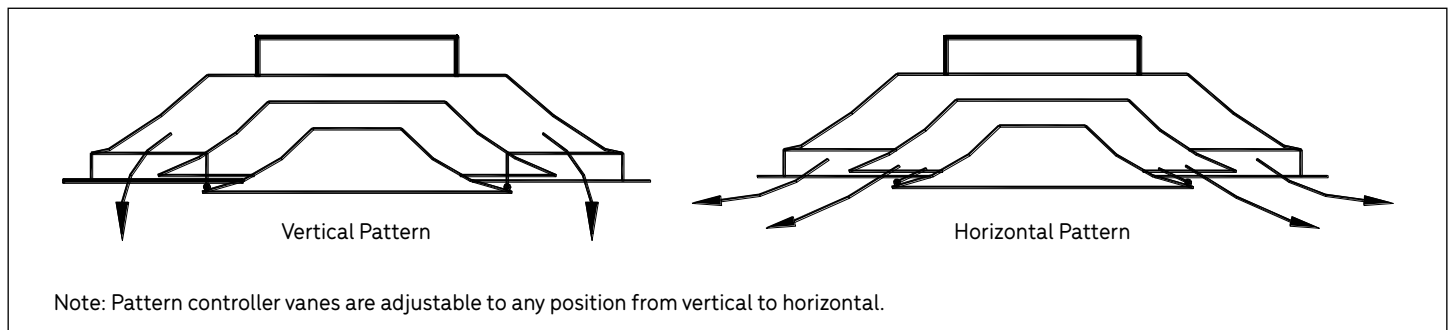
Ceiling Module	Face Size	Nominal Round Duct Size	Border Types
12 X 12	12 X 12	4, 5, 6, 7, 8	SFM, SNI, LTF, SPL
24 X 24	24 X 24	6, 8, 10, 12, 14, 15	SFM, SNI, LTF, SPL
24 X 24 (Panel)	12 X 12	4, 5, 6, 7, 8	SNI, LTF, SPL

* 20 x 20 Module available only in Type LTF

ADJUSTING OPTIONAL DAMPER • REMOVING CENTER CONE



A2300A DISCHARGE PATTERNS



ACCESSORIES (OPTIONAL) Check if provided.

Model RON Opposed Blade Damper
Model EG Equalizing Grid

1 1/2" EG RON Mounts on Neck A

Model RON damper is available in duct sizes 6 thru 12 inches only.

Model ROD Opposed Blade Damper
Model EG Equalizing Grid

1 1/2" EG ROD Mounts Above Neck A B

Size	B
6 - 12	1 1/2
14, 15	2 1/8

Model ROD damper is available in 6, 7, 8, 10, 12, 14, and 15 inch duct sizes only.

Model RBD Butterfly Damper
Model EG Equalizing Grid

1 1/2" EG RBD Mounts Above Neck A 1 5/8"

Model COM Combination Damper and Equalizing Grid

Air Flow COM Mounts Above Neck A 1 1/2"

Model RRN Radial Sliding Blade Damper
Model EG Equalizing Grid

1 1/2" EG RRN Mounts on Neck

Model RRN damper is available in duct sizes 6, 8, 10, 12 and 14 inch duct sizes only.

Model RRD Radial Sliding Blade Damper
Model EG Equalizing Grid

1 1/2" EG RRD Mounts Above Neck 1 3/4"

Model RRD damper is available in duct sizes 6, 8, 10, 12 and 14 inch duct sizes only.

Dimension "A" in Inches, for Dampers Shown as Above

Accessories	Nominal Round Duct Sizes						
	6	7	8	10	12	14	15
RRD	-	-	-	-	-	-	N/A
RRN	-	-	-	-	-	-	N/A
RON	2 3/8	2 7/8	3 1/4	4 1/8	4 7/8	N/A	N/A
RBD	2 1/2	3	3 1/2	4 1/2	5 1/2	6 1/2	7
COM	3 3/8	4	4 1/2	5 1/2	7 1/8	8 5/8	9
ROD	2 3/4	3 1/4	3 5/8	4 1/2	5 3/8	2 3/4	3

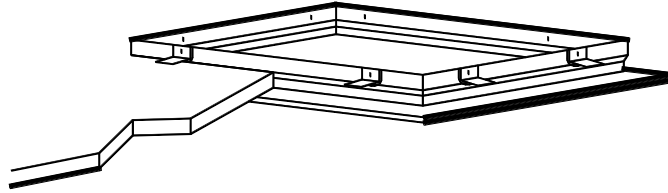
Note: RRN and RRD dampers have radial blades that slide in a horizontal plane. For that reason, no opening clearance "A" is dimensioned.

OTHER ACCESSORIES (OPTIONAL)

Standard Finish: WHT White

Model SB Sectorizing Baffles

AFR Rapid Mount Frame



For Surface Mounting Border Type LTF

GENERAL DESCRIPTION

- Model A2300A includes adjustable vanes which vary the discharge pattern between horizontal and vertical.
- Delivers supply air in a true 360° pattern. Designed to protect ceiling from streaking and smudging.
- Excellent for variable volume systems. The uniform, nearly horizontal jet maintains effective room air distribution even when air volume varies over a considerable range.
- The A2300A consists of 3 concentric cones in all sizes. This uniformity of design enhances appearance in installations where more than one size is involved.
- Screwdriver adjustment of the optional damper is achieved without removing the inner cone. (See Note 2, page 2.)
- Quick removal of inner cone with a hex key speeds installation. (See Note 3, page 2.)
- All cones are die-stamped onepiece construction with smooth, clean surfaces and no corner joints.
- Material is heavy gauge aluminum with steel bar webbing.

JOB NAME: LOCATION: ARCHITECT: ENGINEER: CONTRACTOR:	SUBMITTED BY:	DATE: 06/12/26	A2300A - 1.0
		A2300A Square Ceiling Diffusers Aluminum, Adjustable, High Performance	