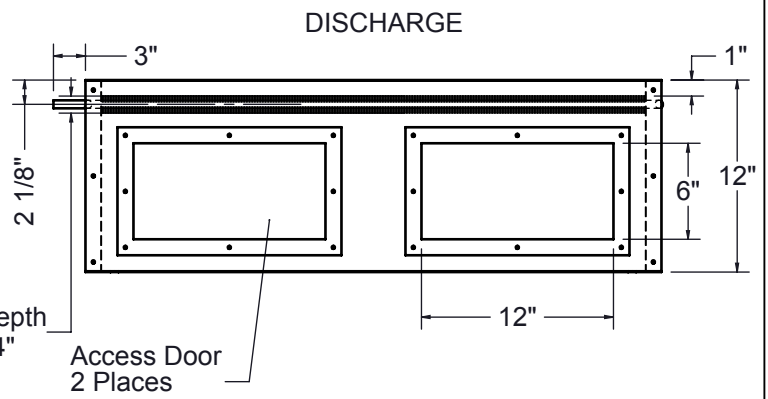
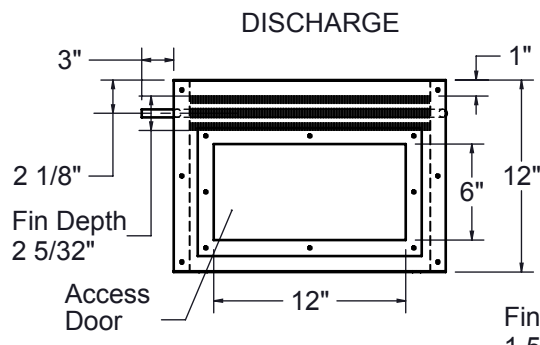
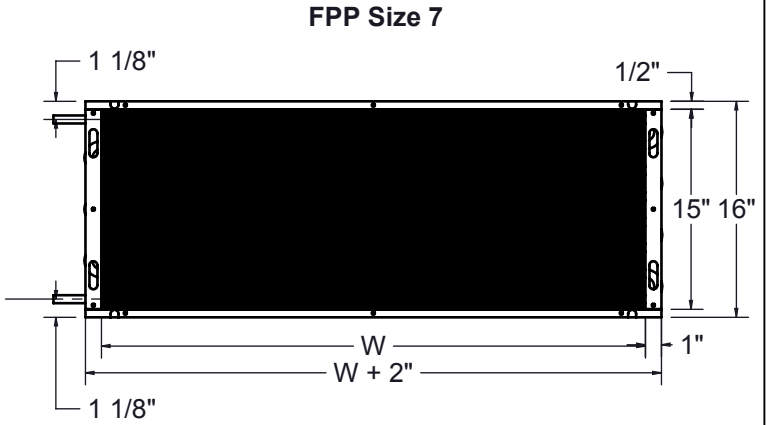
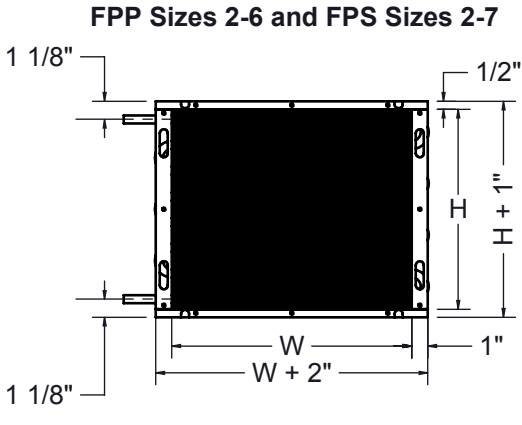


- Connection tubing is 0.63" in diameter with a male fitting
- Coil housing is constructed of 20 Ga. galvanized steel
- Copper tubing is 0.17" thick with a 1/2" diameter
- Coil fins are 0.0045" thick aluminum, spaced at 10 fins per inch
- Leak tested to 400 psi
- Not suitable for steam applications



Options:

Vent and Drain

MODEL	UNIT SIZE	W	H	MODEL	UNIT SIZE	W	H
FPS	2	15	12 1/2	FPP	2	15	12 1/2
	3	15	12 1/2		3	15	12 1/2
	4	22	12 1/2		4	22	12 1/2
	5	22	15		5	22	15
	6	24 1/2	15		6	24 1/2	15
	7	34	15		7	24 1/2	15

Dimensions in inches

Job: _____	Tag: _____	FPS/FPP Hot Water Coils with Access Doors 2-Row
Location: _____	Submitted By: _____	
Architect: _____		
Engineer: _____		
Contractor: _____	SD - 2194 Rev: A (09/15)	

These drawings do not detail every aspect of the product. This submittal demonstrates general product dimensions; drawings are not to scale. Tuttle & Bailey reserves the right to make changes without notice. Copyright © 2015 Tuttle & Bailey www.tuttleandbailey.com