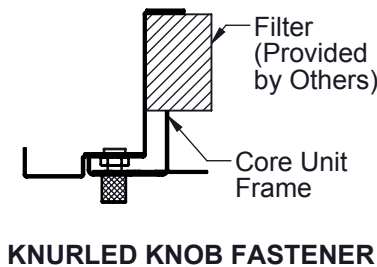
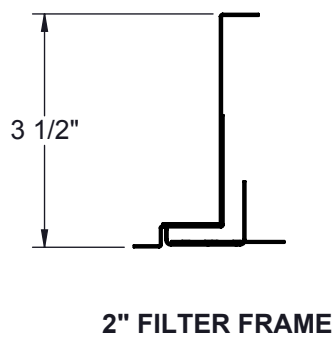
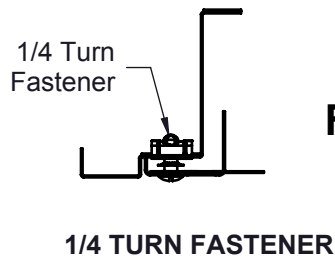
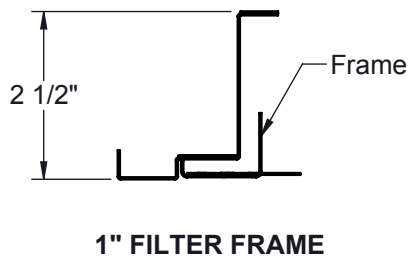
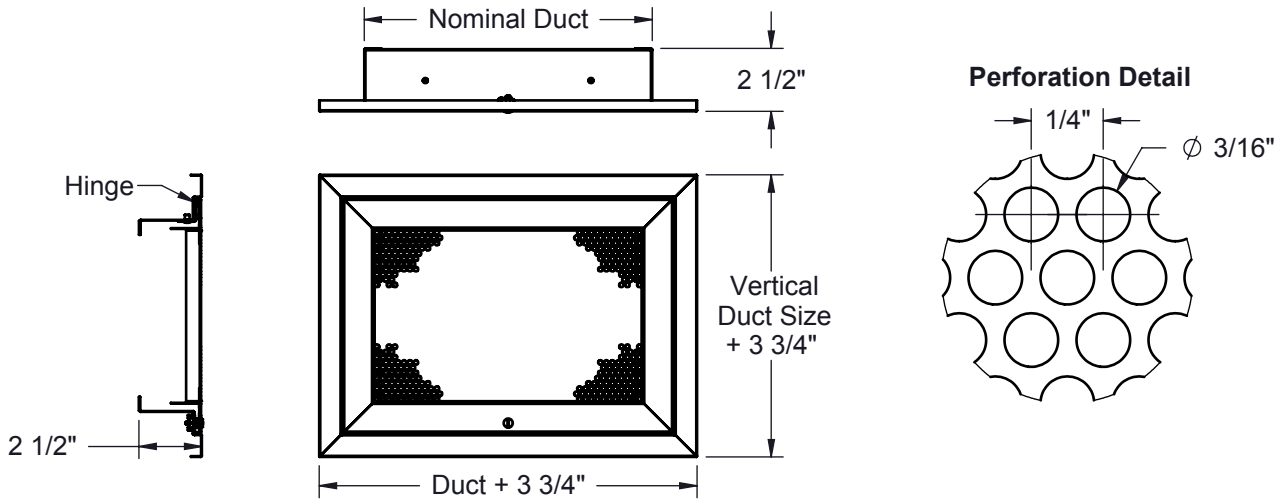


- Perforated face has 3/16" holes on 1/4" staggered centers (51% free area)
- Hinges on removable face can be positioned on top/bottom (long side) or left/right (short side)
- Face bars spaced on 3/4" centers
- 1" filter frame standard; optional 2" available (filters furnished by others)
- Steel construction
- Standard finish is white



### Hinge Options

Top/Bottom (Long Side)  
Left/Right (Short Side)

### Finishes

WH - White  
AP - Aluminum Paint  
OW - Off-White  
FB - Flat Black  
MP - Match Paint

Dimensions in inches

Job: _____	Tag: _____	<b>PGFB</b> <b>Perforated Return Grille</b> <b>with Filter Frame, Steel</b>
Location: _____	Submitted By: _____	
Architect: _____	SD - 1819      Rev: A (03/11)	
Engineer: _____		
Contractor: _____		