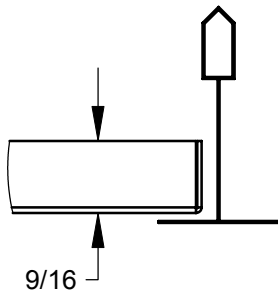
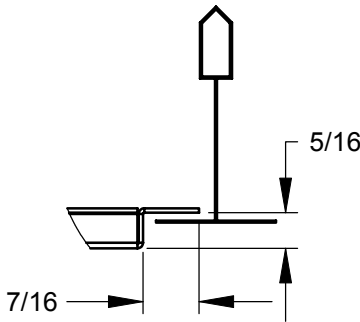


- Fits standard T-Bar ceiling systems
- Model PTL is steel construction
- Model APTL is aluminum construction
- Perforated material has 3/16 holes on 1/4 staggered centers (51% free area)
- Standard finish is white

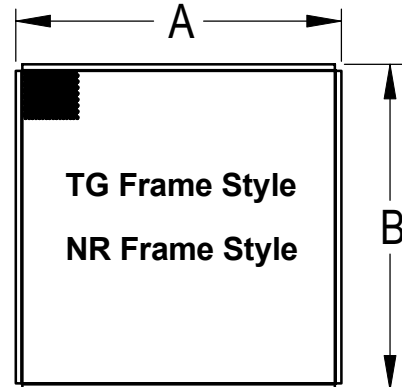
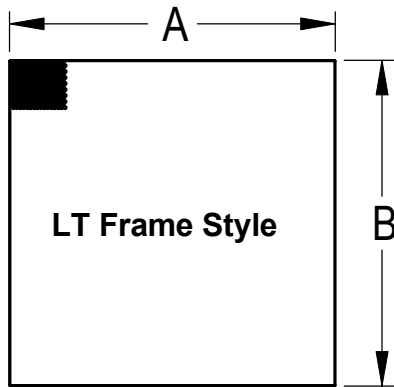
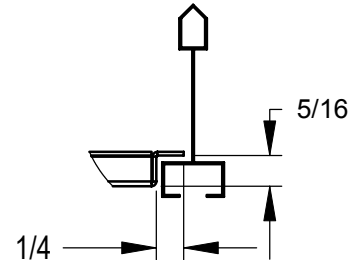
**LT Frame Style**



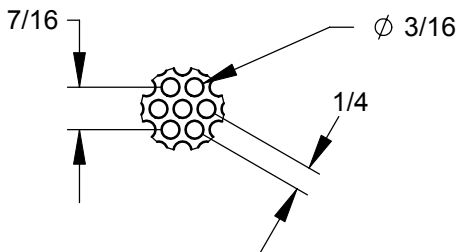
**TG Frame Style**



**NR Frame Style**



**Pattern Detail**



Module Size	A	B
12x12	11 3/4	11 3/4
16x16	15 3/4	15 3/4
20x20	19 3/4	19 3/4
24x12	23 3/4	11 3/4
24x24	23 3/4	23 3/4
48x24	47 3/4	23 3/4

NOTE: NR Frame Style is available only in a steel 24x24 module and has an outer dimension of 23 27/32

Dimensions in inches

Job: \_\_\_\_\_  
 Location: \_\_\_\_\_  
 Architect: \_\_\_\_\_  
 Engineer: \_\_\_\_\_  
 Contractor: \_\_\_\_\_

Submitted By: \_\_\_\_\_

SD-1785

04.28.2004

**PTL, APTL**  
**Perforated Return Panel**