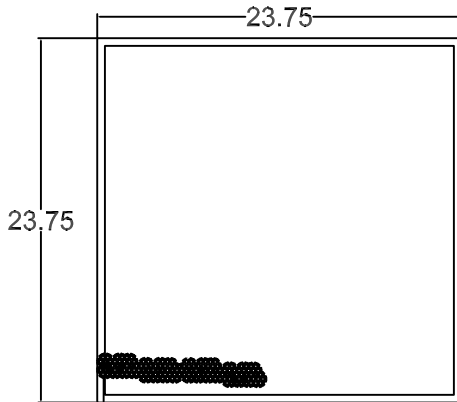


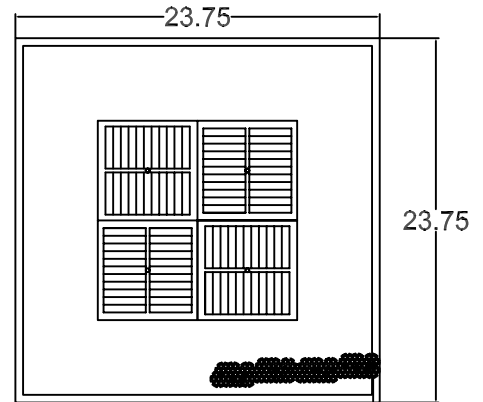
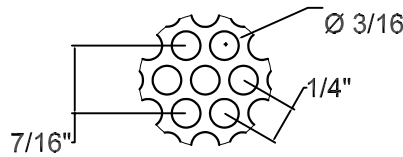


- Dimensions for PTL-LT w/ OPTIONAL Molded Insulated Fiberglass Backpan & Pattern Deflectors
- Fits Standard T-bar ceiling systems
- Perforated material has 3/16 holes on 1/4 staggered centers (51 % free area)
- Standard finish is White

PTL

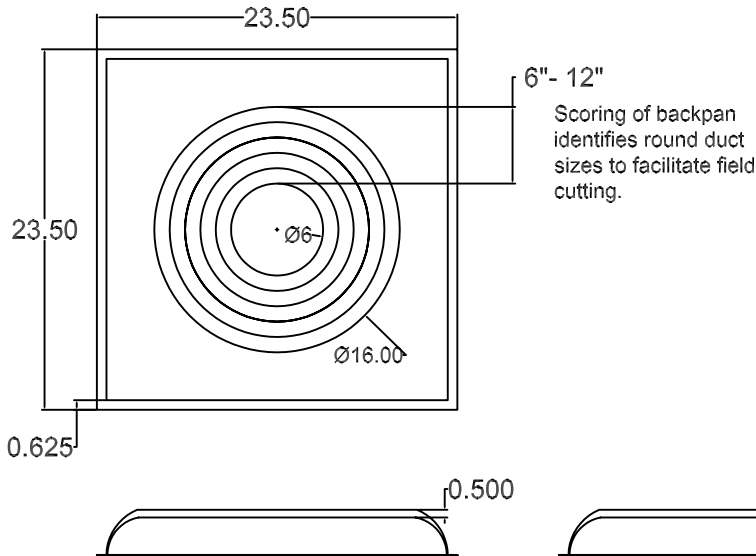


PTL w/ Pattern Deflectors

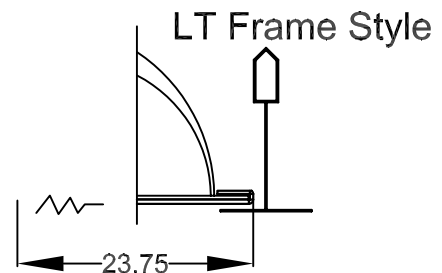


ACCESSORIES

Molded Insulated Backpan



Molded Insulated Backpan Molded Backpan & Pattern Deflectors



Job:
Location:
Architect:
Engineer:
Contractor:

Submitted by:

SD-1785.1

01/08

PTL w/ optional Pattern
Deflectors and MIB
24x24 module