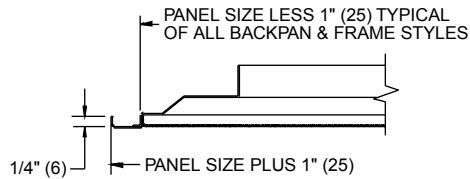
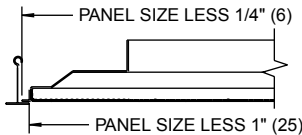


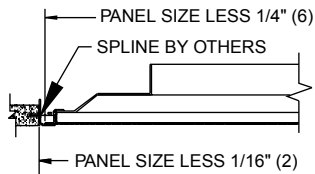
- Matching return for PV, PP, and PM supply diffusers
- Hinged / removable face allows for easy access to damper
- Optional round damper is shipped loose and field mounted
- Model **PR** is all steel construction
- Model **APR** is steel backpan with aluminum face
- Standard finish is white



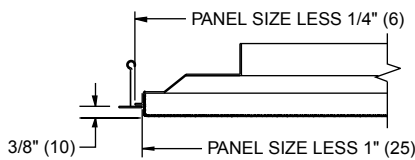
Frame SF (Surface Mount)
*minimum ceiling openings 23-1/4"



Frame LT (Lay-in T-Bar)



Frame PL (Spline)



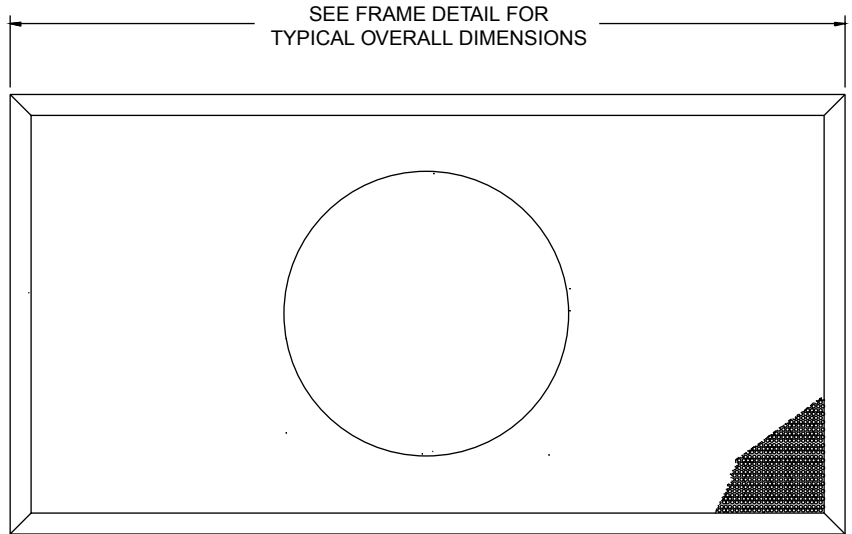
Frame TG (Tegular)**

****NOTE:** Frame TG not available for Model APR

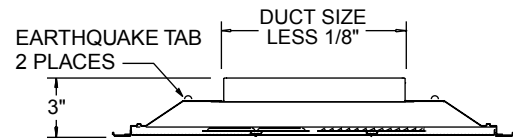
Frame Detail:

12x12, 16x16*, 20x20*,
24x12*, and 48x24*
Module Sizes

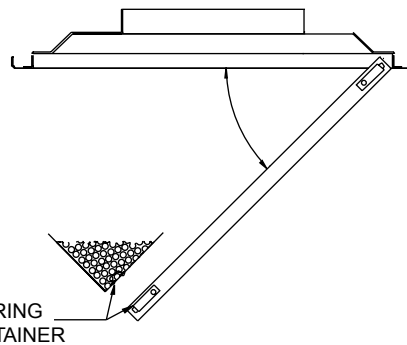
*PR Only



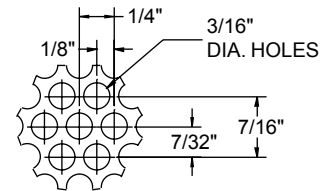
PR **APR**



Side View Detail, SF Frame



Face Hinge Detail



Perforated Pattern Detail
(51% free area)

Dimensions are in inches. Product information subject to change without notice.

PROJECT:	SUBMITTED BY:	DATE: 7/02/01	SD - 1782
ARCHITECT:		PR, APR Round Neck	
ENGINEER:		Perforated Return	
CONTRACTOR:		Additional Module Sizes	
LOCATION:			