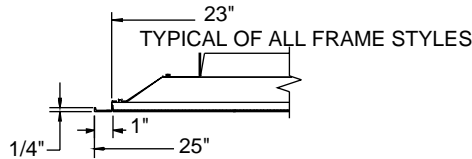
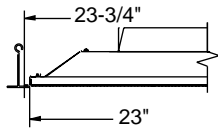


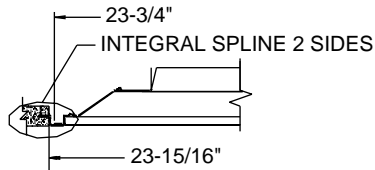
- Matching return for PV, PP, and PM supply diffusers
- Hinged / removable face allows for easy access to damper
- Optional square damper is shipped loose and field mounted
- Model **PR** is all steel construction
- Model **APR** is steel backpan with aluminum face
- Standard finish is white



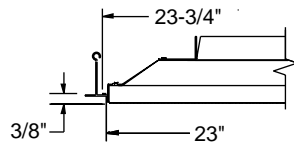
Frame SF (Surface Mount)
*minimum ceiling openings 23-1/4"



Frame LT (Lay-in T-Bar)



Frame PL (Spline)

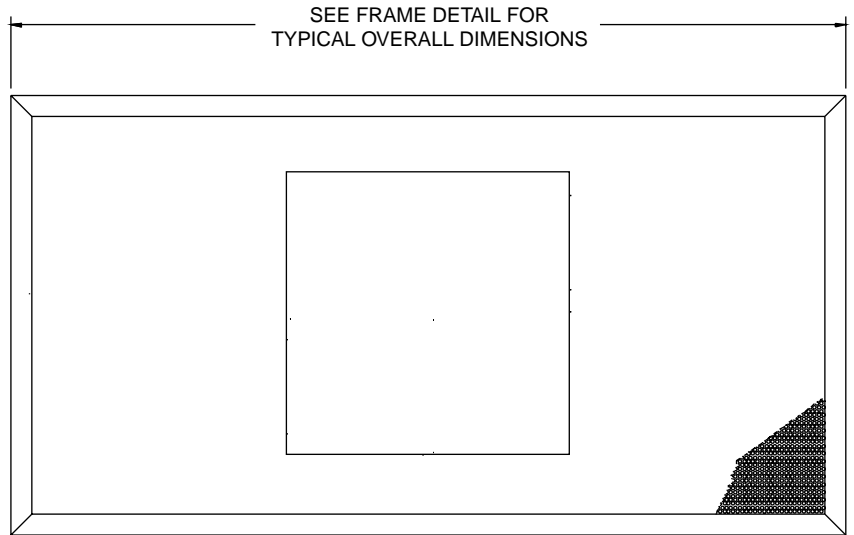


Frame TG (Tegular)**

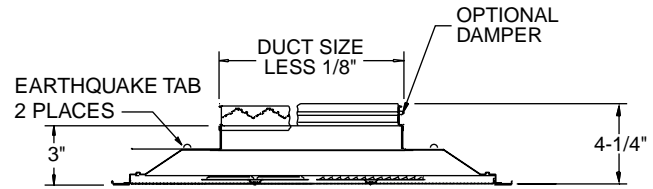
**NOTE: Frame TG not available for Model APR

Frame Detail:
12x12, 16x16E 20x20E
24x12E, and 48x24E
Module Sizes

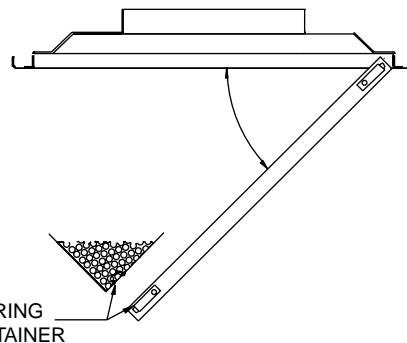
* PR Only



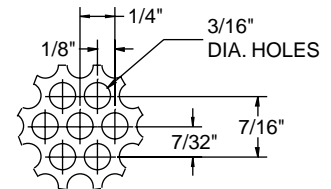
PR **APR**



Side View/Damper Detail, SF Frame



Face Hinge Detail



**Perforated Pattern Detail
(51% free area)**

Dimensions are in inches. Product information subject to change without notice.

PROJECT: _____
 ARCHITECT: _____
 ENGINEER: _____
 CONTRACTOR: _____
 LOCATION: _____

SUBMITTED BY: _____

DATE: 7/02/01 SD - 1780
PR, APR Square Neck
 Perforated Return
 Additional Module Sizes