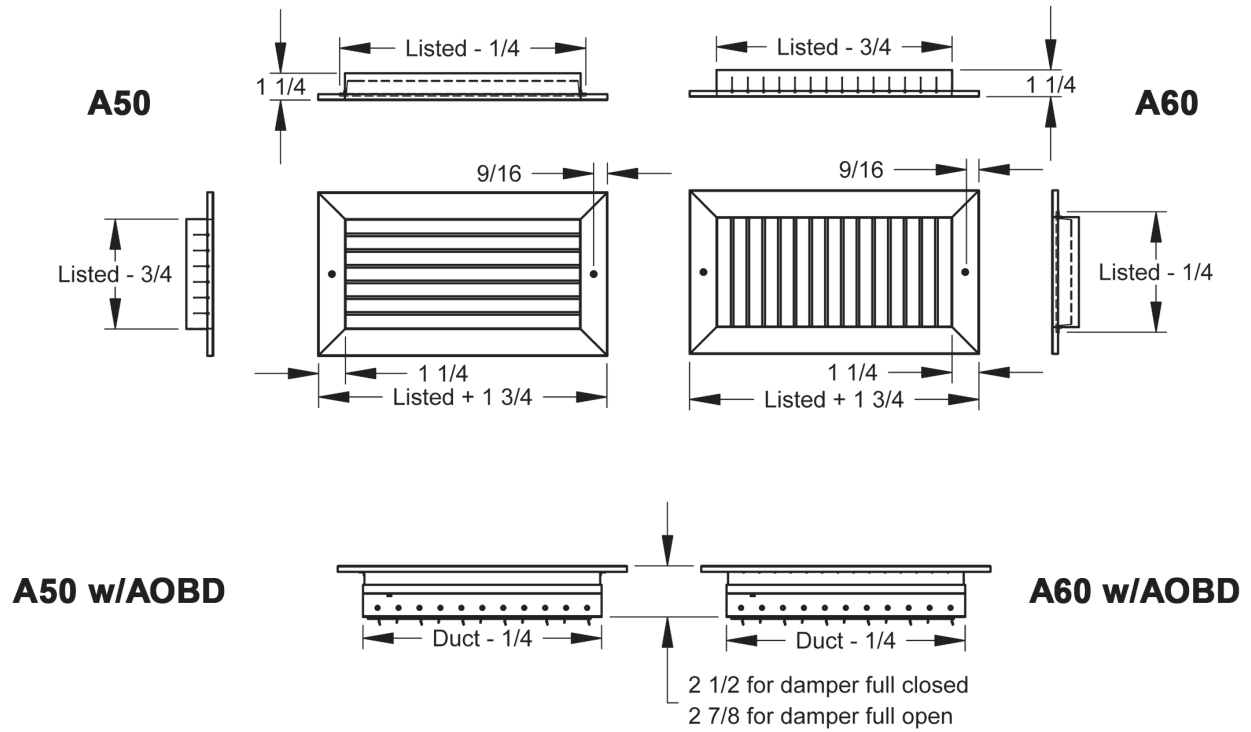


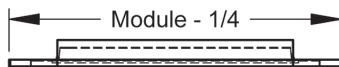


PRODUCT DIMENSIONS

A50, A60



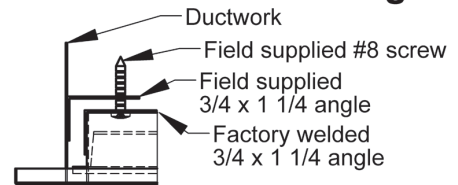
LT Margin Style



Module	*Max Neck
12x12	9x9
24x12	21x9
24x24	21x21
48x24	45x21

*When using a module for Lay-In T-Bar ceiling, this is the maximum neck size for specified module

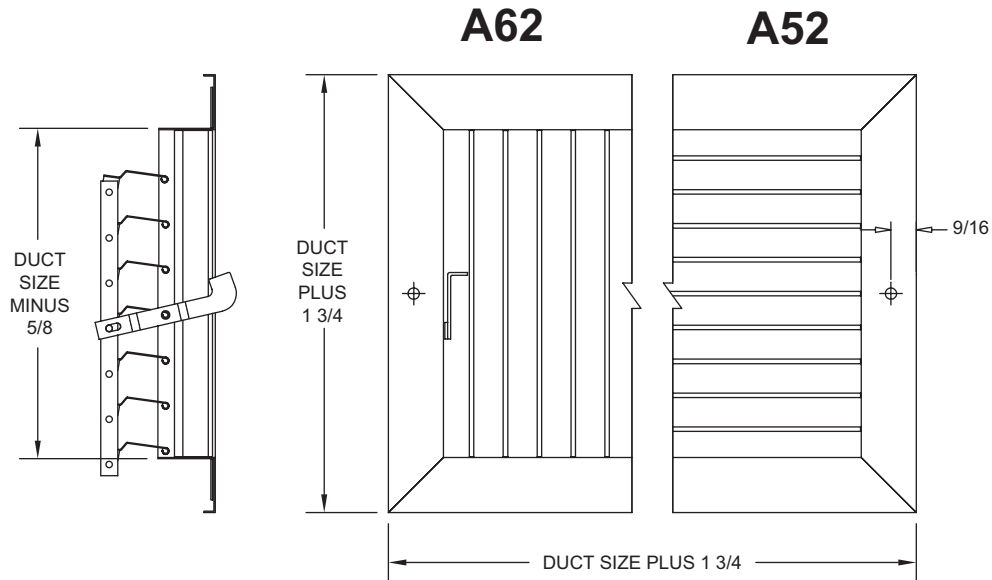
Concealed Mounting



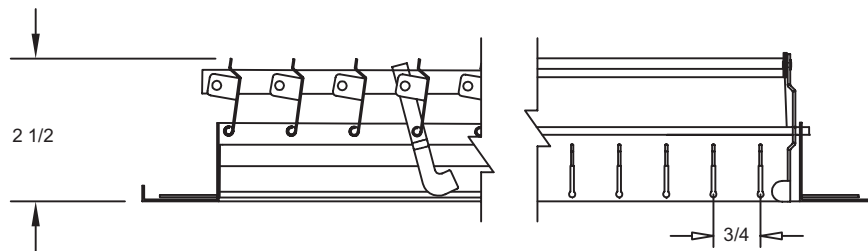


PRODUCT DIMENSIONS

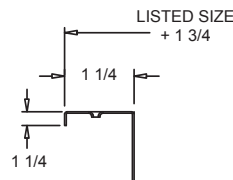
A52, A62



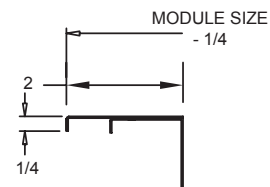
Damper Detail



SF Margin Style



LT Margin Style



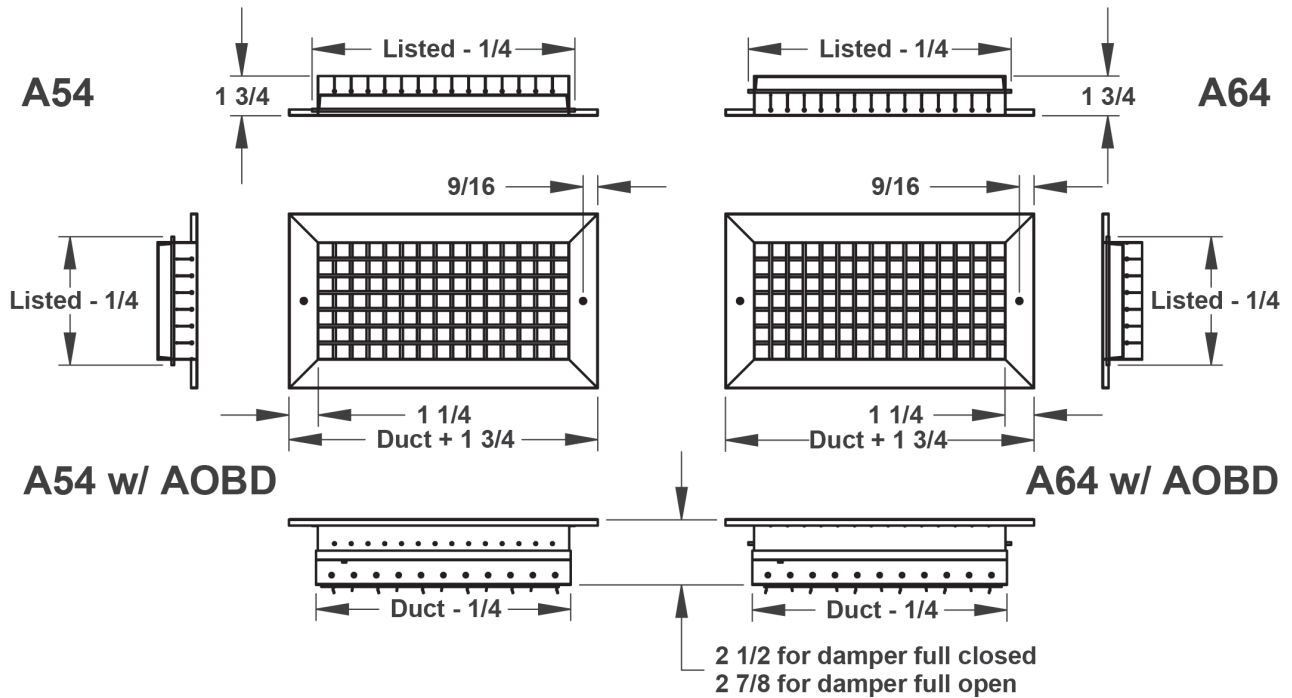
Module	*Max Neck
12x12	9x9
24x12	21x9
24x24	21x21
48x24	45x21

*When using a module for Lay-In T-Bar ceiling, this is the maximum neck size for specified module



PRODUCT DIMENSIONS

A54, A64



LT Frame Style



Module	*Max Neck
12x12	9x9
24x12	21x9
24x24	21x21
48x24	45x21

* When using a module for Lay-In T-Bar ceiling, this is the maximum neck size for specified module

Concealed Mounting

