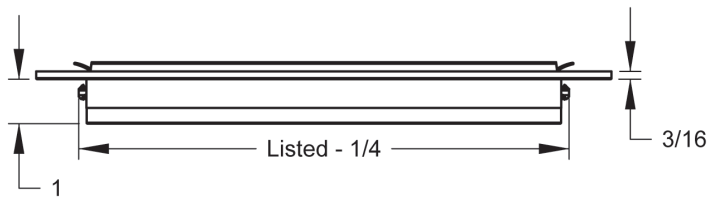
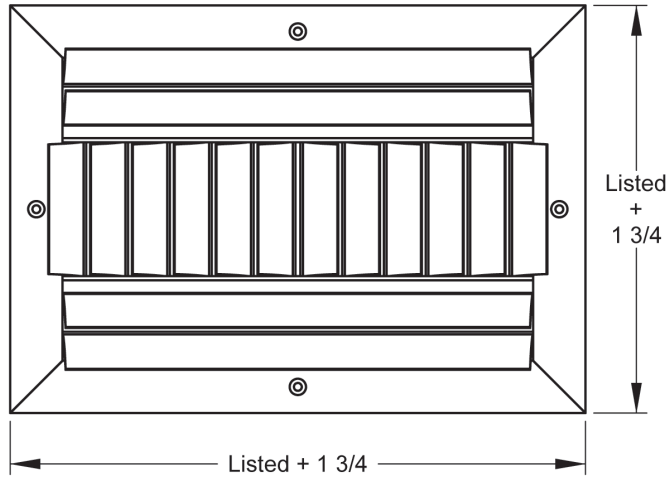


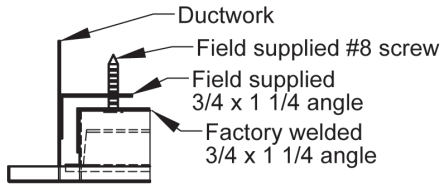


PRODUCT DIMENSIONS

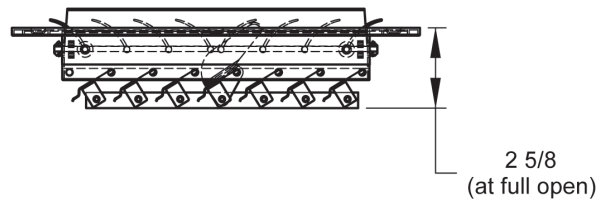
A20, A40 Curved Blade Series



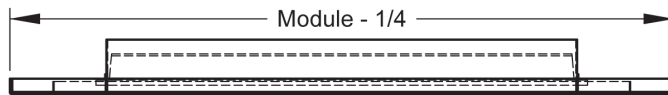
Concealed Mounting



Multi-Shutter Damper



LT Frame Style



Module	*Max Neck
12x12	9x9
24x12	21x9
24x24	21x21
48x24	45x21

*When using a module for Lay-in T-Bar ceiling, this is the maximum neck size for specified module

PRODUCT DIMENSIONS

A20, A40 Curved Blade Series

