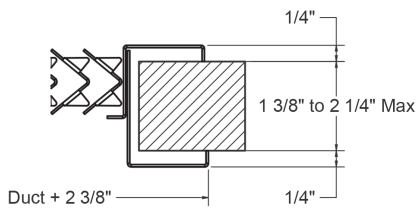
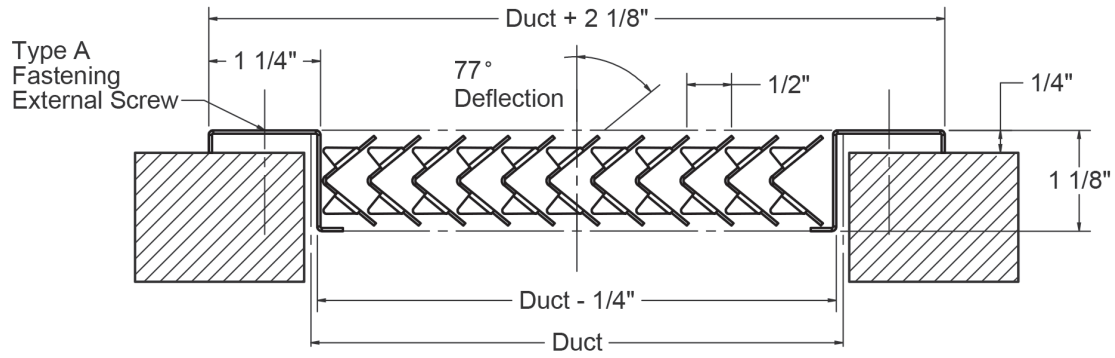


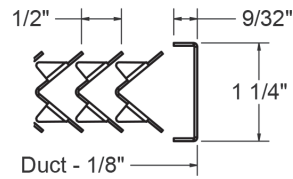


PRODUCT DIMENSIONS

DXFR



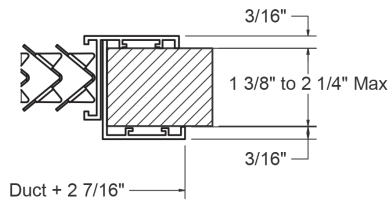
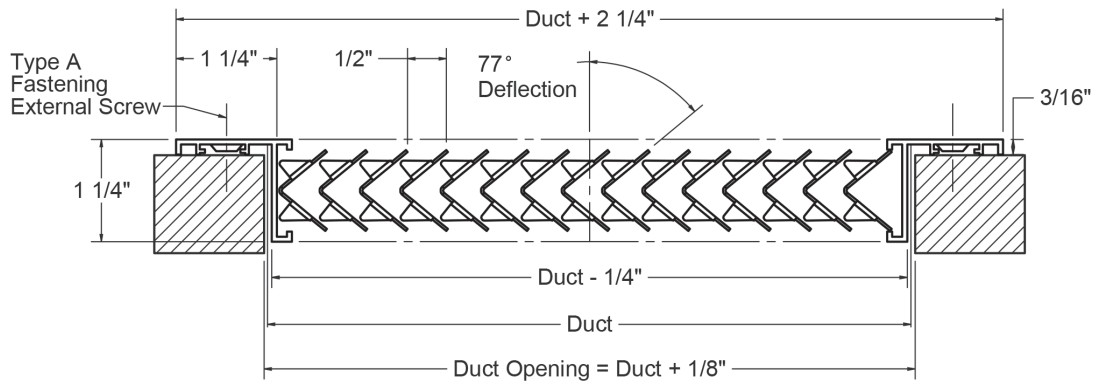
Auxiliary Frame



Channel Frame

PRODUCT DIMENSIONS

ADXFR



Auxiliary Frame