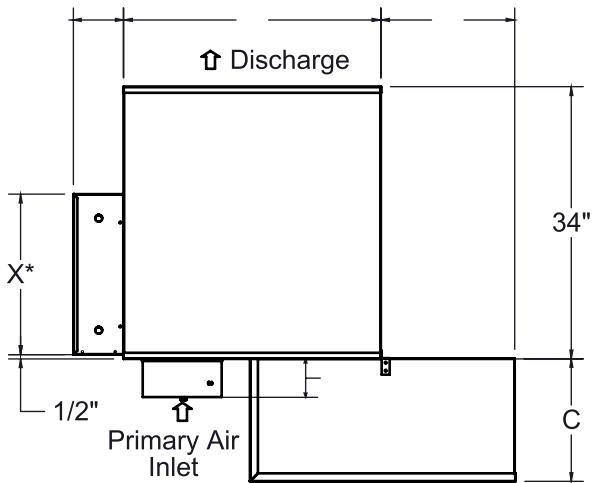
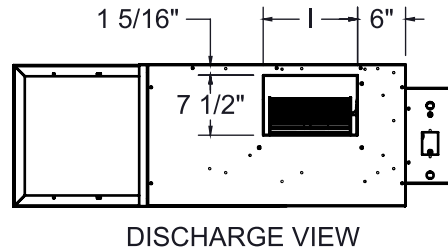
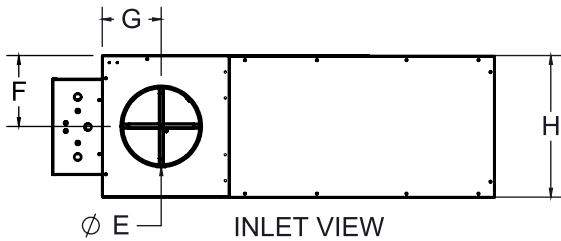


# Product Dimensions

## FPS Basic Unit



\* NOTE: Digital or Analog enclosure is 20" x 11 7/8"  
Pneumatic enclosure is 17" x 15"

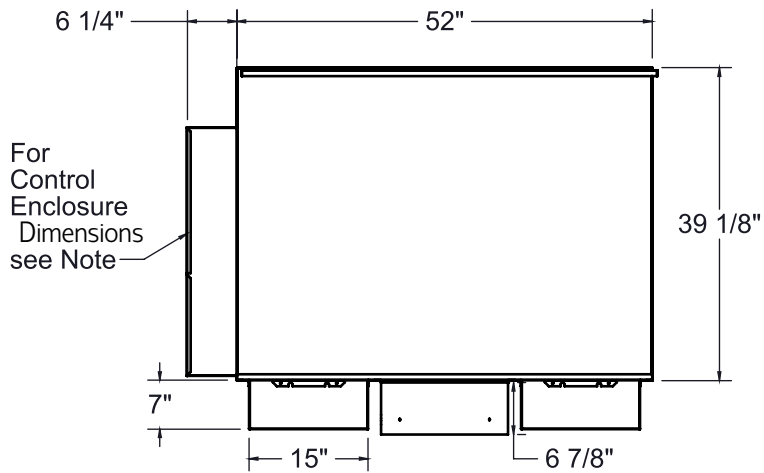


UNIT SIZE	INLET SIZE	PSC HP	ECM HP	A	B	C	D	E	F	G	H	I
2	6	1/10	-	21	12	11	4 7/8	13	7 1/2	5 3/8	15	6 3/4
3	6	1/4	1/2	21	12	11	4 7/8	13	7 1/2	5 3/8	15	9 1/4
3	8	1/4	1/2	32 1/4	12	11	4 7/8	13	7 1/2	5 3/8	15	9 1/4
4	8	1/4	-	32 1/4	17	16 1/2	4 7/8	15	8 7/8	5 3/8	17 3/4	11 7/8
4	10	1/4	-	32 1/4	17	16 1/2	4 7/8	15	8 7/8	7 3/8	17 3/4	11 7/8
4	12	1/4	-	32 1/4	17	16 1/2	6 7/8	15	8 7/8	8 3/8	17 3/4	11 7/8
5	10	1/2	-	32 1/4	17	16 1/2	4 7/8	15	8 7/8	7 3/8	17 3/4	13 1/8
5	12	1/2	-	32 1/4	17	16 1/2	6 7/8	15	8 7/8	8 3/8	17 3/4	13 1/8
6	10	3/4	1	32 1/4	17	16 1/2	4 7/8	15	8 7/8	7 3/8	17 3/4	13 1/8
6	12	3/4	1	32 1/4	17	16 1/2	6 7/8	15	8 7/8	8 3/8	17 3/4	13 1/8
6	14	3/4	1	32 1/4	17	16 1/2	6 7/8	15	8 7/8	8 3/8	17 3/4	13 1/8

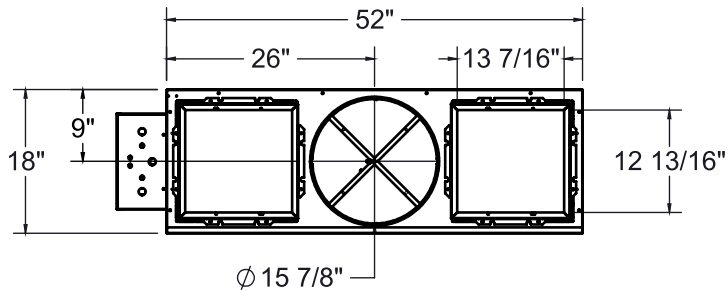
Dimensions in inches

# Product Dimensions

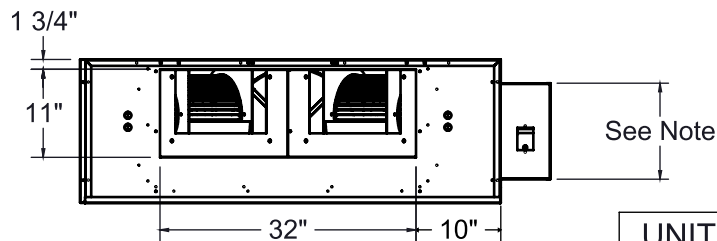
## FPS Basic Unit Size 7



INLET VIEW



DISCHARGE VIEW

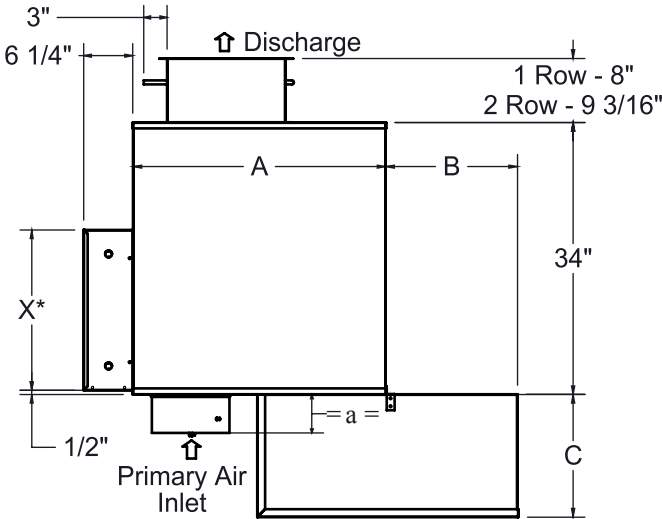


UNIT SIZE	INLET SIZE	PSC MOTOR HP	ECM MOTOR HP
7	16	3/4 (2)	1 (2)

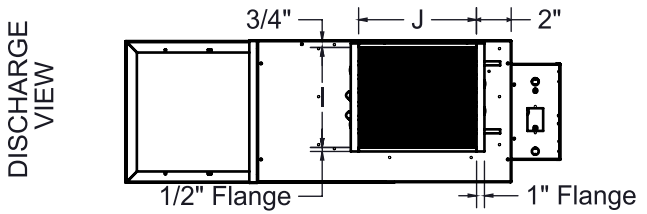
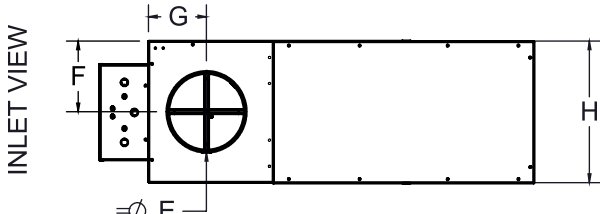
Dimensions in inches

# Product Dimensions

## FPS w/ Hot Water Heat



\* Note: Digital or Analog enclosure is 20" x 11 7/8"  
Pneumatic enclosure is 17" x 15"

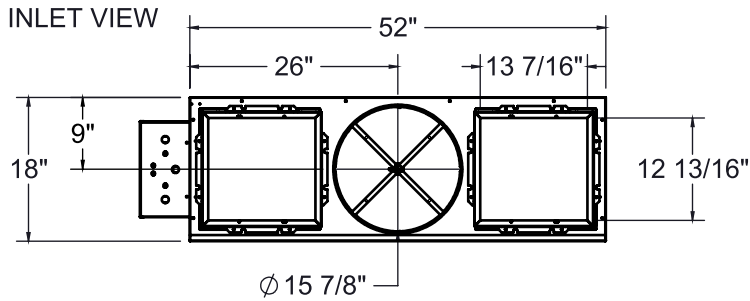
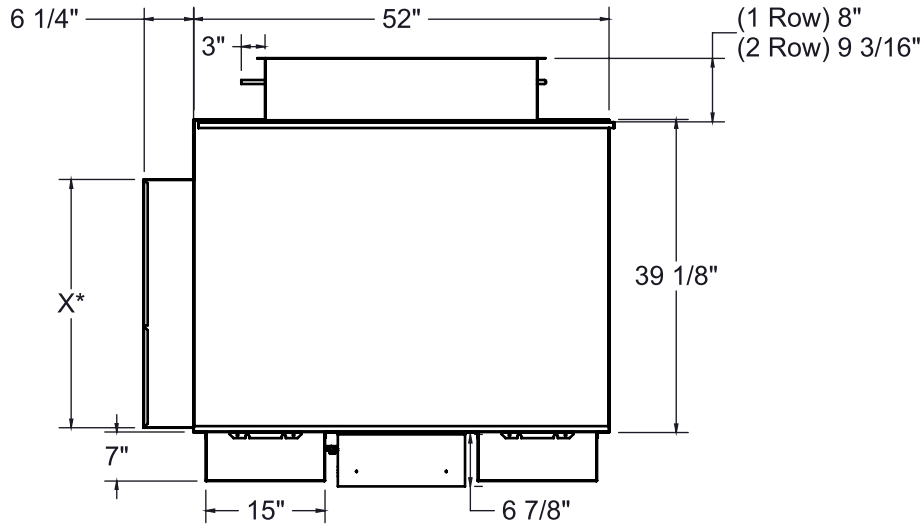


UNIT SIZE	INLET SIZE	PSC HP	ECM HP	A	B	C	D	E	F	G	H	I	J
2	6	1/10	-	21	12	11	4 7/8	13	7 1/2	5 3/8	15	11	11
3	6	1/4	1/2	21	12	11	4 7/8	13	7 1/2	5 3/8	15	11	11
3	8	1/4	1/2	32 1/4	12	11	4 7/8	13	7 1/2	5 3/8	15	11	11
4	8	1/4	-	32 1/4	17	16 1/2	4 7/8	15	8 7/8	5 3/8	17 3/4	13	14 1/2
4	10	1/4	-	32 1/4	17	16 1/2	4 7/8	15	8 7/8	7 3/8	17 3/4	13	14 1/2
4	12	1/4	-	32 1/4	17	16 1/2	6 7/8	15	8 7/8	8 3/8	17 3/4	13	14 1/2
5	10	1/2	-	32 1/4	17	16 1/2	4 7/8	15	8 7/8	7 3/8	17 3/4	13	14 1/2
5	12	1/2	-	32 1/4	17	16 1/2	6 7/8	15	8 7/8	8 3/8	17 3/4	13	14 1/2
6	10	3/4	1	32 1/4	17	16 1/2	4 7/8	15	8 7/8	7 3/8	17 3/4	13	14 1/2
6	12	3/4	1	32 1/4	17	16 1/2	6 7/8	15	8 7/8	8 3/8	17 3/4	13	14 1/2
6	14	3/4	1	32 1/4	17	16 1/2	6 7/8	15	8 7/8	8 3/8	17 3/4	13	14 1/2

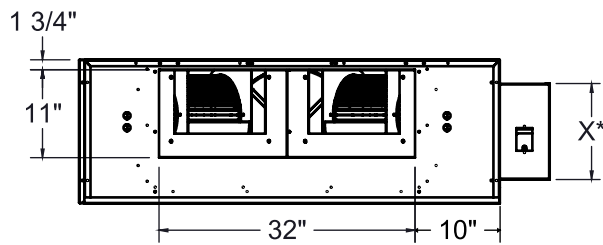
Dimensions in inches

# Product Dimensions

## FPS w/ Hot Water Heat Size 7



DISCHARGE VIEW

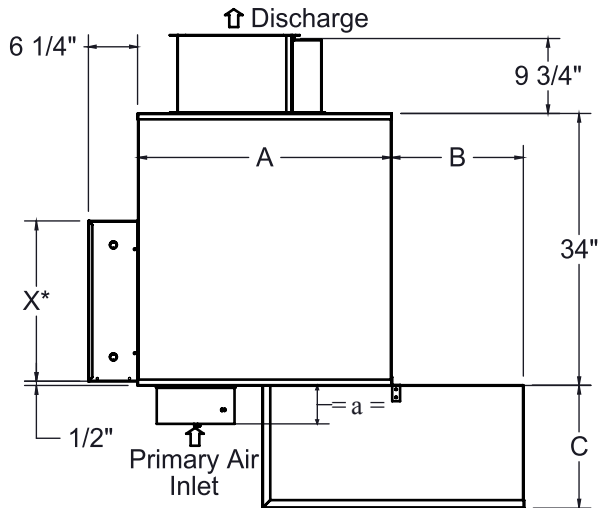


UNIT SIZE	INLET SIZE	PSC MOTOR HP	ECM MOTOR HP
7	16	3/4 (2)	1 (2)

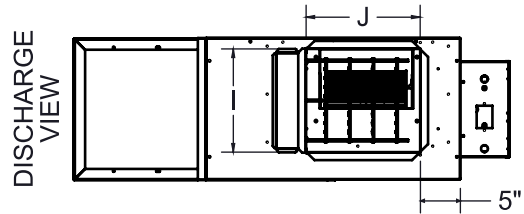
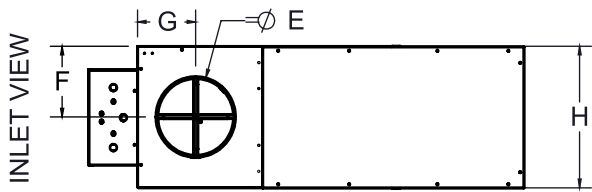
Dimensions in inches

# Product Dimensions

## FPS w/ Electric Reheat



\* Note: Digital or Analog enclosure is 20" x 11 7/8"  
Pneumatic enclosure is 17" x 15"

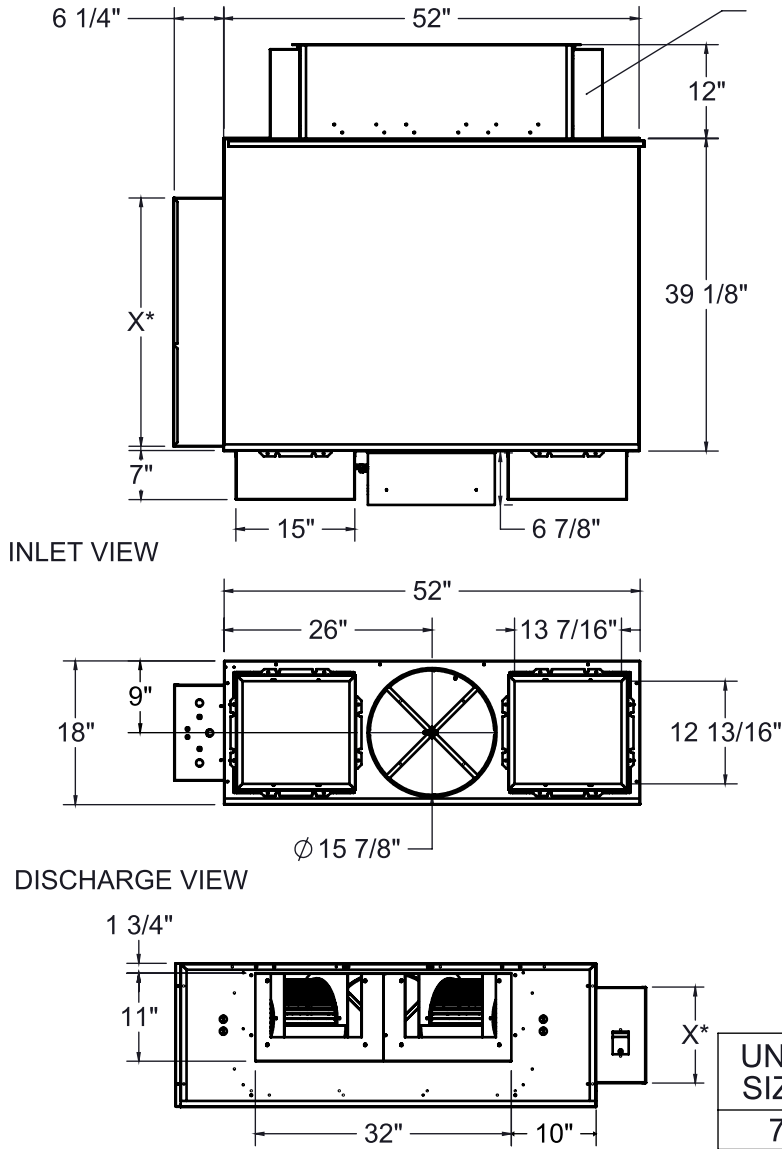


UNIT SIZE	INLET SIZE	PSC HP	ECM HP	A	B	C	D	E	F	G	H	I	J
2	6	1/10	-	21	12	11	4 7/8	13	7 1/2	5 3/8	15	11	11
3	6	1/4	1/2	21	12	11	4 7/8	13	7 1/2	5 3/8	15	11	11
3	8	1/4	1/2	32 1/4	12	11	4 7/8	13	7 1/2	5 3/8	15	11	11
4	8	1/4	-	32 1/4	17	16 1/2	4 7/8	15	8 7/8	5 3/8	17 3/4	13	14 1/2
4	10	1/4	-	32 1/4	17	16 1/2	4 7/8	15	8 7/8	7 3/8	17 3/4	13	14 1/2
4	12	1/4	-	32 1/4	17	16 1/2	6 7/8	15	8 7/8	8 3/8	17 3/4	13	14 1/2
5	10	1/2	-	32 1/4	17	16 1/2	4 7/8	15	8 7/8	7 3/8	17 3/4	13	14 1/2
5	12	1/2	-	32 1/4	17	16 1/2	6 7/8	15	8 7/8	8 3/8	17 3/4	13	14 1/2
6	10	3/4	1	32 1/4	17	16 1/2	4 7/8	15	8 7/8	7 3/8	17 3/4	13	14 1/2
6	12	3/4	1	32 1/4	17	16 1/2	6 7/8	15	8 7/8	8 3/8	17 3/4	13	14 1/2
6	14	3/4	1	32 1/4	17	16 1/2	6 7/8	15	8 7/8	8 3/8	17 3/4	13	14 1/2

Dimensions in inches

# Product Dimensions

## FPS w/ Electric Reheat Size 7



UNIT SIZE	INLET SIZE	PSC MOTOR HP	ECM MOTOR HP
7	16	3/4 (2)	1 (2)

Dimensions in inches