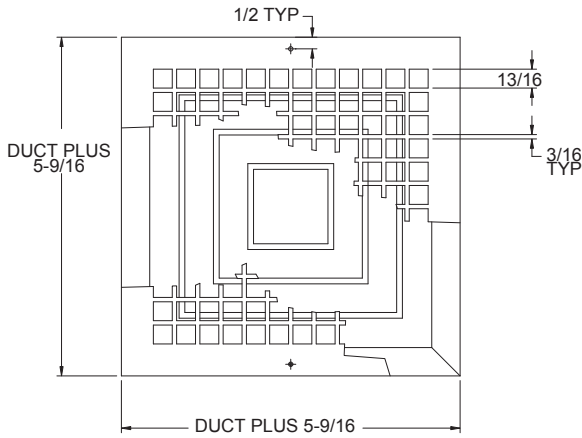
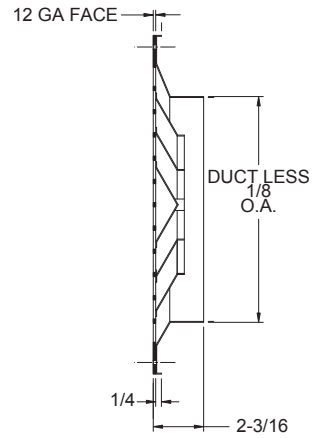


PRODUCT DIMENSIONS

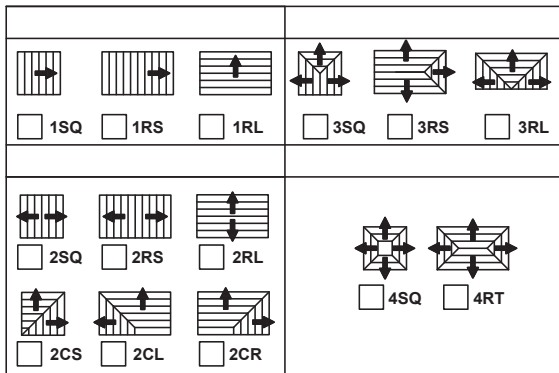
SG500



Face View Detail

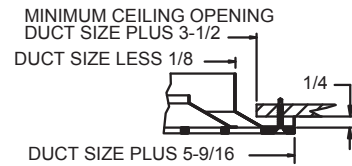


Side View Detail



Deflection Patterns
(specify when ordering)

Patterns are shown in plan view
(looking down into inlet)



Installation Detail