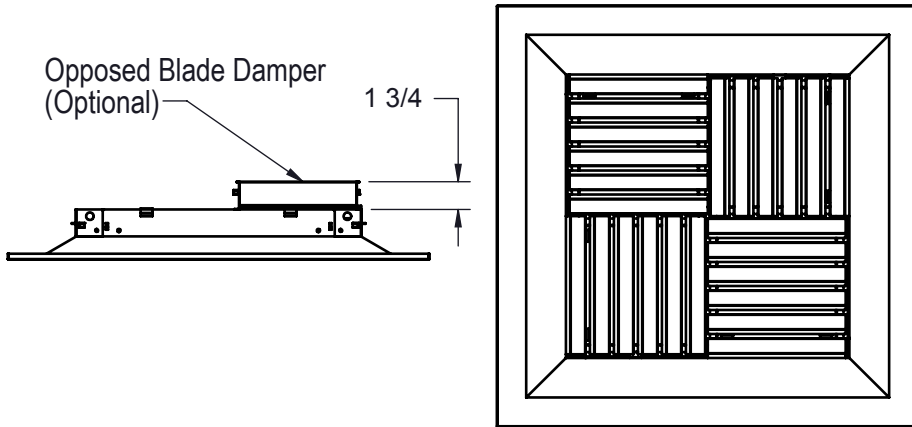
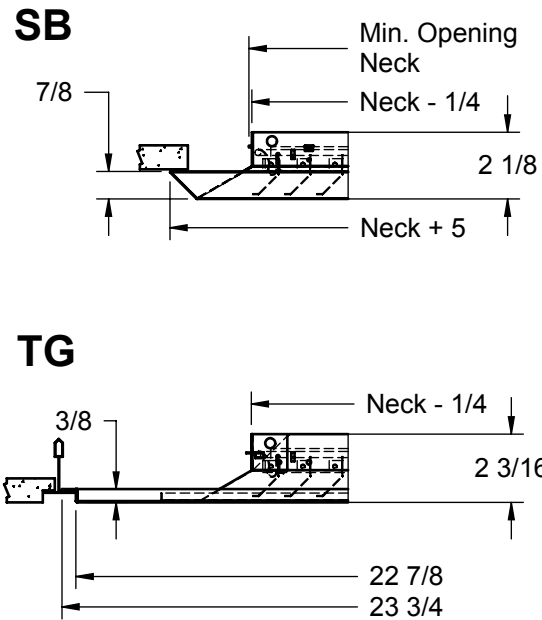
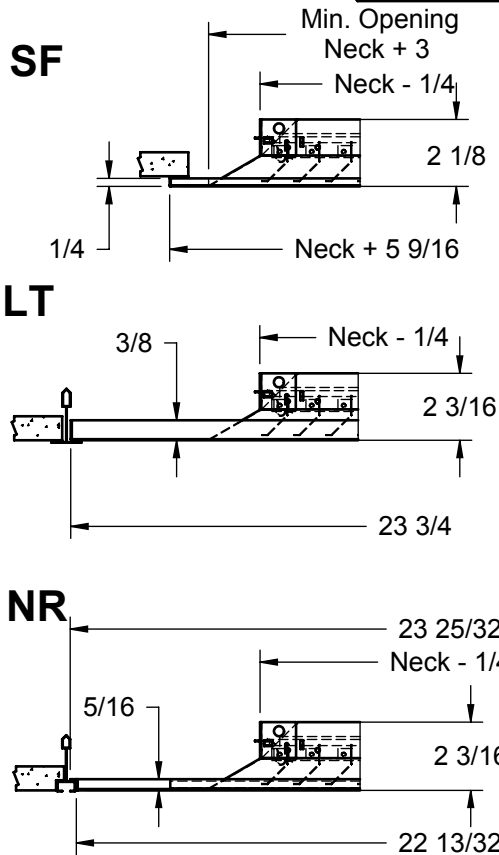


- Several different air patterns can be achieved with a single diffuser
- Four individual louver modules can be set in a 4-way, 3-way, 2-way, or 1-way air pattern and are adjustable without the use of tools
- Louver modules can be removed for access to the mounting margin and neck damper
- Standard finish is white paint (WH)
- Field installed SMOBD damper (must be ordered with screwdriver operator)



Neck Size (in.)	Available Sizes				
	Surface Mount		Lay-in T-Bar (24x24 Panel Size)		
	SF	SB	LT	TG	NR
6x6	X	X	X	X	X
8x8	X	X	X	X	X
10x10	X	X	X	X	X
12x12	X	X	X	X	X
14x14	X	X	X	X	X
16x16	X	X	X	X	X
18x18	X	X	X	X	X
20x20	X	X	X	X	X
22x22	X	X			
24x24	X	X			

"X" denotes availability



Dimensions in inches

Job: _____	Tag: _____	SQD Steel Modular Core Diffuser
Location: _____	Submitted By: _____	
Architect: _____		
Engineer: _____		
Contractor: _____	SD - 1848	Rev: B (08/10)

These drawings do not detail every aspect of the product. This submittal demonstrates general product dimensions; drawings are not to scale. Tuttle & Bailey reserves the right to make changes without notice. Copyright © 2010 Tuttle & Bailey www.tuttleandbailey.com