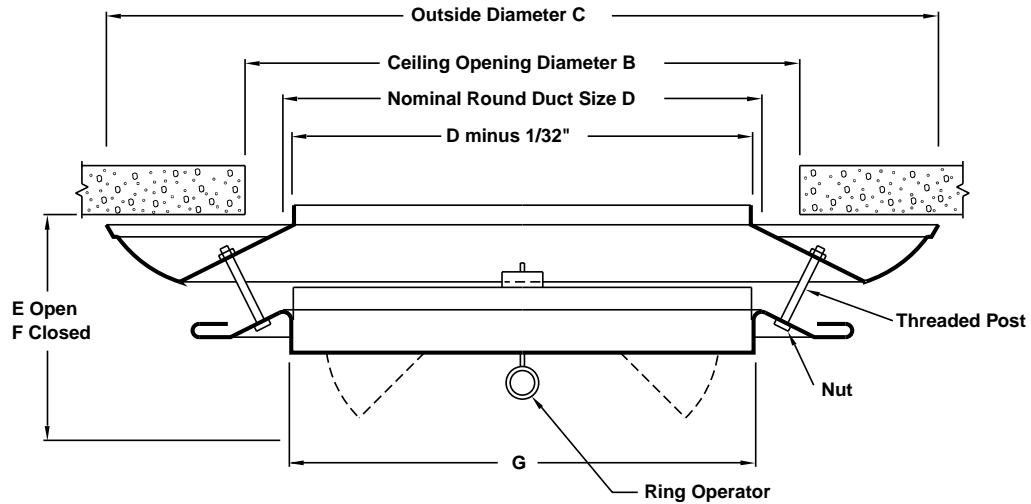
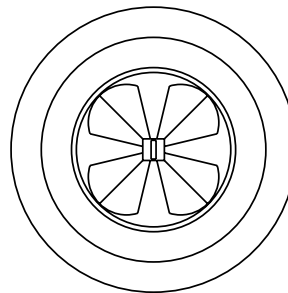


- Steel construction
- 360 degree discharge pattern
- Airflow is adjusted by rotating ring operator from fully open position (vertical discharge) to fully closed position (horizontal discharge)
- Ring operator can be adjusted by pole
- Inner core is removable for access to damper
- Standard finish is white (WH)



Nominal Round Duct Size D	B	C	E	F	G
10	10-1/2	18-1/4	7-1/2	3	10
12	12-1/2	22	9-3/8	4	12
14	14-1/2	26	6-3/4	4	14
16	16-1/2	29	8-1/2	5	16
18	18-1/2	32-1/2	9-1/8	5	18
20	20-1/2	36	10-3/8	5-1/2	20
24	24-1/2	43-1/4	12-1/4	6-5/8	24



Face View

Dimensions are in inches, product information subject to change without notice.

PROJECT: _____
 ARCHITECT: _____
 ENGINEER: _____
 CONTRACTOR: _____
 LOCATION: _____

SUBMITTED BY: _____

DATE: 10-8-01

SD-1846

VB Industrial
 Round Diffuser
 w/ Ring Operator
 Steel