

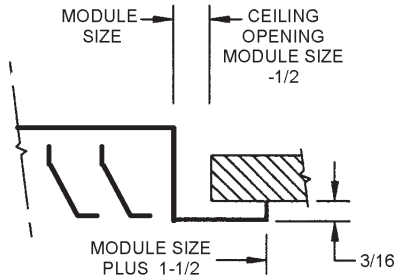
PRODUCT DIMENSIONS

S Series

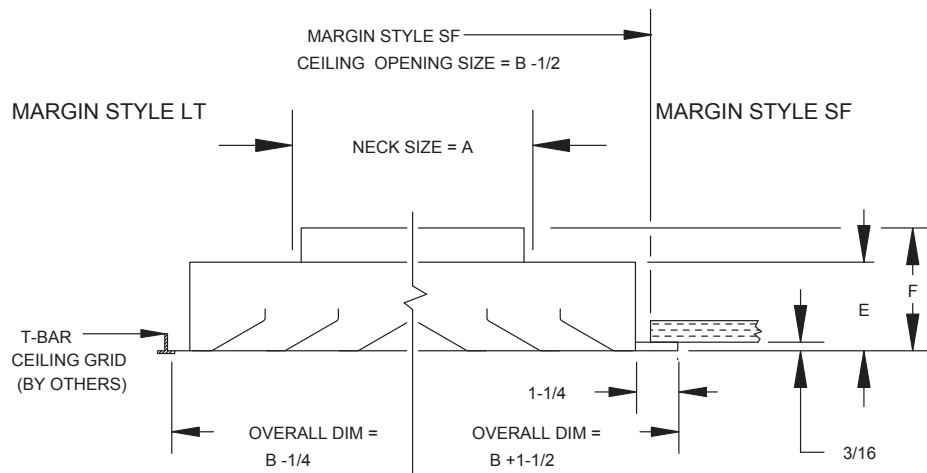
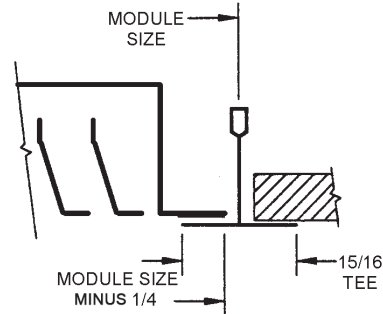
Margin Details: SF, LT



Margin SF, Surface Mount



Margin LT, Lay-in T-Bar



Module	Neck Diffuser Size	A	B	SN		SA	
				E	F	E	F
12x12	06	6	12	2-1/2	3-1/2	3-1/4	4-1/4
	08	8	12	2-1/2	3-1/2	3-1/4	4-1/4
24X24	06	6	24	2-1/2	3-1/2	5	6
	08	8	24	2-1/2	3-1/2	5	6
	10	10	24	2-1/2	3-1/2	5	6
	12	12	24	2-1/2	3-1/2	5	6
	14	14	24	2-1/2	3-1/2	5	6
	16	16	24	2-1/2	3-1/2	5	6

DIMENSIONS IN INCHES

52 02/09

www.tuttleandbailey.com

TUTTLE & BAILEY
The First Name In Air Distribution